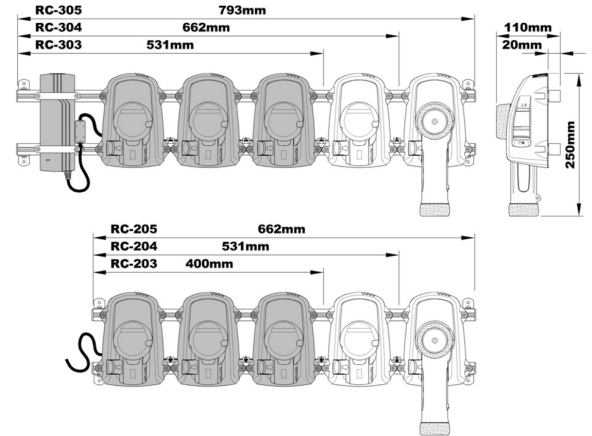


Rechargeable Torch Charger Bank



Product Overview

The Wolf Rechargeable Torch Charger Bank provides a solution to charger mounting and space management as the 100-254VAC or 12-24VDC banking system allows easy recharging and storage for the Wolf Rechargeable Torch range.

Installation is simple and quick; all mounting points are linear adjustable providing extra flexibility in tight areas. There is only one electrical connection to the Charger Bank helping keep wiring and cable running tidy and quick.

The Charger Bank is produced from lightweight anodized aluminium with fine grade stainless steel/chrome fixings for long life. Operationally the Charger Bank will provide quick charging times for each torch of 90% charge in 1.5 hours and 100% full charge in 3 hour.

In vehicle applications, this unit exceeds the requirements of EN1789:2000 6.3.5 (Medical Vehicles and their equipment) giving torch retention in shock conditions of up to 40G (EN1789 requires 15G).

The chargers are CE marked in compliance with the 2004/108/EC EMC directive and comply with the requirements of 2006/28/EC Automotive EMC directive for use in emergency vehicles.

The Charger Bank is designed for indoor and internal vehicle use and can be mounted in a number of orientations. The torch indicates state of charge; the charger base indicates power to input.

Technical Specification

Product Reference	RC-203	RC-204	RC-205	RC-303	RC-304	RC-305
Product Description	Rechargeable Torch Charger Bank					
For No. Torches	3	4	5	3	4	5
Apparatus Standards	BS EN 1789:2000 Medical Vehicles and Equipment 6.3.5					
Insulation Class	III					
Enclosure	Thermoplastic					

Input Voltage	12-24VDC			100-254VAC		
Peak Current	4.5A	6A	7.5A	4.5A	6A	7.5A
Recharge Time	90% in 1.5hrs / Full Charge 3hrs					
Ingress Protection	IP20					
Weight	1.3kg	1.7kg	2.1kg	2.2kg	2.6kg	3.0kg
Mounting	Wall Mounted / Flat Surface / Bulk Head					
Compatible Torch	R-30 / R-50 / R-55					

- All information has been gathered under laboratory conditions, the user must regard the values given as approximate.
- Changes may be made to the above specification without notification, details are available on request.

Version: SL022 DF411 Issue 2



Wolf Safety Lamp Company, Saxon Road Works, Sheffield, S8 0YA, UK

- T: +44 (0) 114 255 1051 • F: +44 (0) 114 255 7988
- E: info@wolfsafety.com • www.wolfsafety.com

