



PORTABLE LIGHTING TEMPORARY LIGHTING POWER DISTRIBUTION



WE DESIGN AND MANUFACTURE SAFE, TOUGH
AND RELIABLE HAZARDOUS AREA LIGHTING

CONTENTS

04	PORTABLE LIGHTING
06	WOLFLITE XT RECHARGEABLE HANDLAMPS
08	MICRO, MINI & MIDI TORCHES
10	PRIMARY CELL TORCHES
12	RECHARGEABLE TORCHES
14	ATEX LED HEADTORCHES
16	HAZARD LAMP
17	MARKERLITES
18	TEMPORARY LIGHTING / POWER DISTRIBUTION
20	LINKEX™ LED FLOODLITES
22	LINKEX™ LED TEMPORARY LUMINAIRES
24	LINKEX™ ACCESSORIES
26	LINKEX™ LED TANK LIGHTING KITS
28	ATEX LED INSPECTION LEADLAMPS
30	ATEX TURBOLITES
32	ATEX WORKLITES
34	ATEX TRANSFORMERS
36	ATEX SPLITTER BOXES
37	ATEX CABLE REELS
39	Ex EXPLAINED

**WOLF PORTABLE AND TEMPORARY LIGHTS
ARE PRECISION MANUFACTURED TO
EXACTING STANDARDS – FOR
PERFORMANCE YOU CAN RELY ON IN THE
WORLD'S MOST DEMANDING WORKPLACES.**



BRITISH DESIGN AND INNOVATION SINCE 1912



When you need clear vision in explosive atmospheres, Wolf safety lights are bold, bright and unfailing. For over a century, Wolf has been trusted to illuminate the world's most hazardous and hostile working environments. Where there is an explosion risk, you can rely on Wolf. Every Wolf product meets the latest standards and delivers optimum lighting for specific tasks. No other portable or temporary lighting can match it for quality, safety and endurance.

**USED BY FIRE BRIGADES ACROSS THE WORLD
FOR OVER 30 YEARS.**

PORTABLE LIGHTING

ATEX and IECEX certified, Wolf portable lights give safe illumination in extreme conditions. Torches, Headtorches and Handlamps are designed for every explosive environment. Powered by primary cell or rechargeable batteries, Wolf portable lights are trusted in hazardous places everywhere.



BENEFITS

FOCUSED

Powerful, accurate illumination that's right for the job – from intense focused spot beams to wide-angle lighting.

TOUGH

Built to last, corrosion-resistant and impact-tested to extremes, Wolf lights can withstand the harshest treatment.

RELIABLE

Quality-assured, user-friendly design and uncomplicated functionality for reliable lifetime performance.

ADVANCED

Pushing the limits of portable lighting technology for superior illumination and battery life.

COMFORTABLE

Ergonomic design gives a secure, comfortable grip over long periods. Easy to operate with gloved hands.

ENDURING

Easy to use and maintain; accessible technical support and training – Wolf gives you a lifetime of service.



WOLFLITE XT RECHARGEABLE HANDLAMPS

XT-50 STANDARD
ZONE 1/21 – SPOT

XT-70 PERFORMANCE
ZONE 1/21 – SPOT + FLOOD

XT-90 PERFORMANCE+
ZONE 1/21 – SPOT + FLOOD + SIGNAL

XT-75 PERFORMANCE
ZONE 0/20 – SPOT + FLOOD

A RANGE OF RECHARGEABLE LED SAFETY HANDLAMPS



PRODUCT DIMENSIONS: ALL PRODUCTS: 136mm (H) / 120mm (W) / 188mm (L)

Images above (top to bottom): XT-90 PERFORMANCE+ / XT-75 PERFORMANCE.



GAS ZONES
0 · 1 · 2



DUST ZONES
20 · 21 · 22



1.2KG



IP67



RECHARGEABLE



LED

PRODUCT INFORMATION

- Ultra bright high power LED light source
- Spot and flood switchable beam options
- Up to 11 hours duration on full power, 22 hours on low power
- Integral stand version available for hands free beam direction
- Quick charge from 2 hours
- Emergency illumination power fail mode
- Supplied with shoulder carrying strap
- Suitable for cyclic, short and long term standby applications
- Flood banks and charger banks available



XT Handlamp Flood Banks



XT Handlamp Charger Bank



LUX DATA

Up to 350 lumens (HIGH)

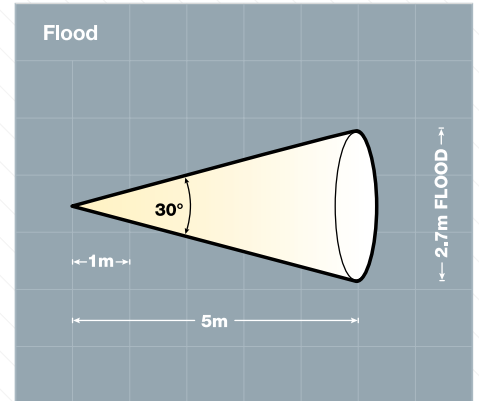
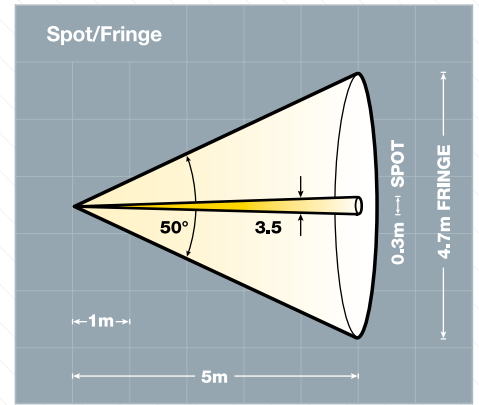
SPOT HIGH 13,130 lux @1m,
620 lux @5m

SPOT LOW 8,050 lux @1m,
370 lux @5m

FLOOD HIGH 260 lux @1m,
14 lux @5m

FLOOD LOW 150 lux @1m,
9 lux @5m

LIGHT OUTPUT



TECHNICAL INFORMATION

WOLFLITE XT RECHARGEABLE HANDLAMPS				
MODEL	XT-50	XT-70	XT-90	XT-75
ATEX CODE	I M2/II 2GD	I M2/II 2GD	I M2/II 2GD	I M1/II 1GD
EX GAS	Ex ib op is I Mb/IIC T4 Gb	Ex ib op is I Mb/IIC T4 Gb	Ex ib op is I Mb/IIC T4 Gb	Ex ia op is I Ma/IIC T4 Ga
EX DUST	Ex ib op is IIIB T185°C Db	Ex ib op is IIIB T185°C Db	Ex ib op is IIIB T185°C Db	Ex ia op is IIIB T185°C Da
CERTIFICATE	ATEX Baseefa09ATEX0326X / IECEx BAS 09.0153X			
GAS ZONE	1 & 2	1 & 2	1 & 2	0, 1 & 2
DUST ZONE	21 & 22	21 & 22	21 & 22	20, 21 & 22
TEMPERATURE	-30°C to +40°C	-30°C to +40°C	-30°C to +40°C	-30°C to +40°C
INGRESS PROTECTION	IP67	IP67	IP67	IP67
CELL	Rechargeable battery, Lithium-Ion			
DURATION	Up to 4.0 / 8.0hrs	Up to 7.5 / 15.0hrs	Up to 11.0 / 22.0hrs	Up to 7.5 / 15.0hrs

XT-XXH = Handlamp plus Mains Charger XT-XXL = Handlamp plus Vehicle Charger XX = 50, 70, 90 or 75

See our range of XT Floodbanks on page 33. Charger banks for XTs are also available.

ADDITIONAL PRODUCTS

CHARGER

12-24V DC – XT-200L
90-254V AC – XT-200H



WOLFLITE RECHARGEABLE HANDLAMP

H-251ALED

II 2GD
Ex ib op is IIC T4 Gb
Ex ib op is IIIB T170°C Db
IP66
LED-107 lumens – Duration 24hrs



WOLFLITE PRIMARY CELL HANDLAMP

H-4DCA

II 2GD
Ex eb ib IIC T4 Gb
Ex tb IIIC T135°C Db
IP66
BULB – 37 lumens – Duration 20hrs



MICRO, MINI & MIDI TORCHES

A RANGE OF PRIMARY CELL COMPACT SAFETY TORCHES

- M-10** ZONE 0/20 LED MICRO
- M-20** ZONE 1 BULB MINI
- M-40** ZONE 0/20 LED MINI
- M-60** ZONE 0/20 LED MINI
- M-85** ZONE 0/20 LED MIDI



NEW Helmet Bracket Kit for use with Wolf Mini (M-660) and Midi (M-680) torches

PRODUCT DIMENSIONS: M-10: 69MM (H) / 22MM (W). M-20 / M-40 / M-60: 147MM (H) / 22MM (W). M-85: 170MM (H) / 45MM (W).

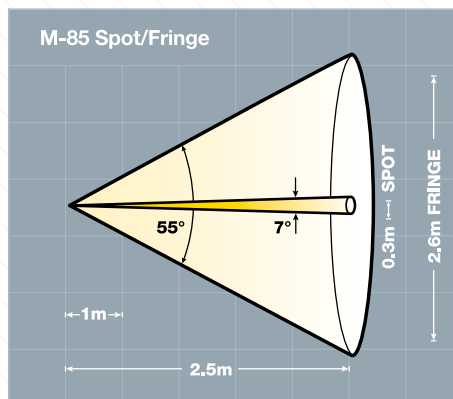
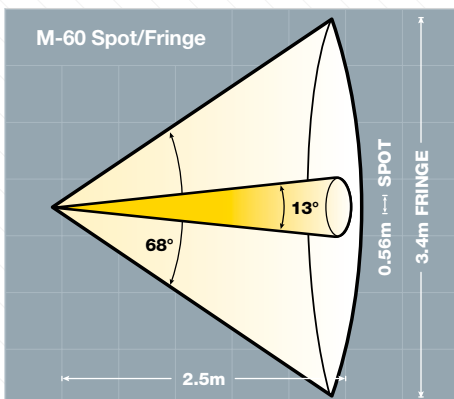
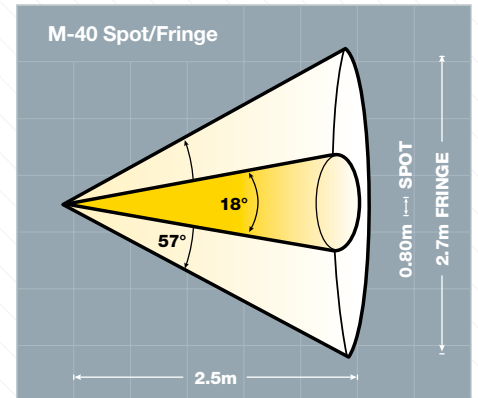
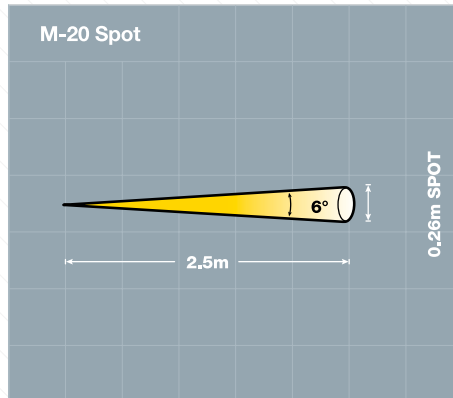
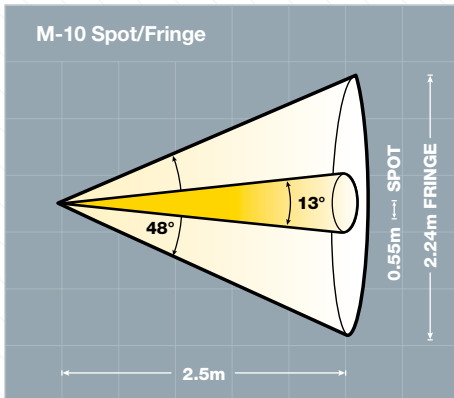
	<p>GAS ZONES 0 • 1 • 2</p>	<p>DUST ZONES 20 • 21 • 22</p>	<p>KG M-10 - 0.025KG M-20/M-40/M-60 - 0.06KG M-85 - 0.19KG</p>	<p>IP67</p>	<p>PRIMARY CELL</p>	<p>LED/BULB (M20 ONLY)</p>

PRODUCT INFORMATION

- Lightweight and small compact sizes
- High output light sources
- Compact and robust ergonomic design with proven impact resistance
- Single handed switching with switch protection shroud
- Integral pen style pocket clip (Minis and Micro) and wrist strap (Midi)
- Ingress protection to IP67
- Group I Mining approval
- Supplied with primary cells



LIGHT OUTPUT



LUX DATA

- M-10** Up to 24 lumens, 28 lux @2.5m
- M-20** Up to 15 lumens, 100 lux @2.5m
- M-40** Up to 44 lumens, 60 lux @2.5m
- M-60** Up to 107 lumens, 275 lux @2.5m
- M-85** Up to 210 lumens, 6,500 lux @1m
1,233 lux @2.5m

TECHNICAL INFORMATION

MODEL	MICRO, MINI & MIDI TORCHES				
	M-10	M-20	M-40	M-60	M-85
ATEX CODE	I M1/II 1GD	I M2/II 2G	I M1/II 1GD	I M1/II 1GD	I M1/II 1GD
EX GAS	Ex ia op is I Ma/IIC T5 Ga	Ex ib I Mb/IIC T4 Gb	Ex ia op is I Ma/IIC T4 Ga	Ex ia op is I Ma/IIC T4 Ga	Ex ia op is I Ma/IIC T3/T4 Ga
EX DUST	Ex ia op is IIIB T95°C Da	N/A	Ex ia op is IIIB T125°C Da	Ex ia op is IIIB T130°C Da	Ex ia op is IIIB T200°C Da
CERTIFICATE	Baseefa06ATEX0084X / IECEx BAS 06.0023X				Baseefa11ATEX0236X / IECEx11.0116X
GAS ZONE	0, 1 & 2	1 & 2	0, 1 & 2	0, 1 & 2	0, 1 & 2
DUST ZONE	20, 21 & 22	N/A	20, 21 & 22	20, 21 & 22	20, 21 & 22
TEMPERATURE	-40°C to +50°C	-40°C to +40°C	-40°C to +50°C	-40°C to +50°C	-40°C to +40°C
INGRESS PROTECTION	IP67	IP67	IP67	IP67	IP67
CELL	4 X LR44	2 X LR03	3 X LR1	3 X LR1	4 X LR6
DURATION	UP TO 2 HRS	UP TO 2.3 HRS	UP TO 10 HRS	UP TO 3.5HRS	UP TO 7 HRS

PRIMARY CELL TORCHES

A RANGE OF PRIMARY CELL LED SAFETY TORCHES

- TR-30+** RIGHT-ANGLE
ZONE 1/21
- TS-30+** STRAIGHT
ZONE 1/21
- TR-35+** RIGHT-ANGLE
ZONE 0/20
- TS-35+** STRAIGHT
ZONE 0/20



PRODUCT DIMENSIONS: RIGHT-ANGLE: 195mm (H) / 60mm (W) / 80mm (D). **STRAIGHT:** 200mm (H) / 60mm (W) / 60mm (Ø).

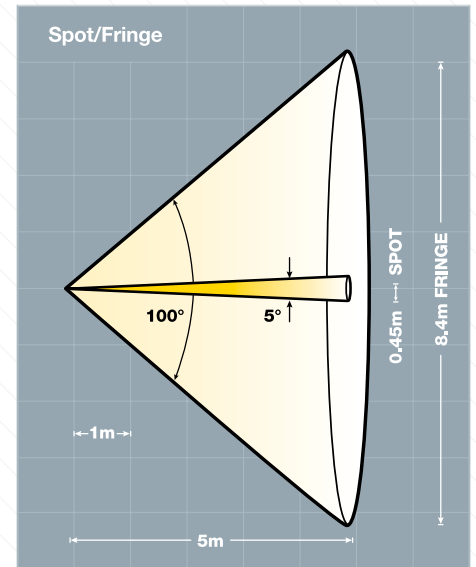
	<p>GAS ZONES 0 · 1 · 2</p>	<p>DUST ZONES 20 · 21 · 22</p>	<p>RIGHT-ANGLE - 0.5KG STRAIGHT - 0.475KG</p>	<p>IP67</p>	<p>PRIMARY CELL</p>	<p>LED</p>

PRODUCT INFORMATION

- High power 'fitted for life' LED for outstanding light output
- Medium spot beam with wide-angle flood of fringe light
- Compact and lightweight ergonomic torch design, straight and right-angle versions
- Up to 130 lumens light output with up to 17 hours duration
- 2 x 1.5V D/LR20 primary cells with low power indicator
- Supplied with wrist strap and clip ring
- Group I Mining Approval



LIGHT OUTPUT



LUX DATA

Up to 130 lumens, 11,300 lux @1m,
405 lux @5m

TECHNICAL INFORMATION

MODEL	PRIMARY CELL TORCHES			
	TR-30+	TS-30+	TR-35+	TS-35+
ATEX CODE	IM2/II 2GD	I M2/II 2GD	I M1/II 1GD	I M1/II 1GD
EX GAS	Ex ib op is I Mb/IIC T4 Gb	Ex ib op is I Mb/IIC T4 Gb	Ex ia op is I Ma/IIC T4 Ga	Ex ia op is I Ma/IIC T4 Ga
EX DUST	Ex ib op is IIIB T130°C Db	Ex ib op is IIIB T130°C Db	Ex ia op is IIIB T130°C Da	Ex ia op is IIIB T130°C Da
CERTIFICATE	ATEX Baseefa 07ATEX0091X / IECEx BAS 06.0089X			
GAS ZONE	1 & 2	1 & 2	0, 1 & 2	0, 1 & 2
DUST ZONE	21 & 22	21 & 22	20, 21 & 22	20, 21 & 22
TEMPERATURE	-30°C to +40/55°C	-20°C to +40/55°C	-30°C to +40/55°C	-20°C to +40/55°C
INGRESS PROTECTION	IP67			
CELL	2 X LR20			
DURATION	14 HRS TO LOW POWER INDICATOR / 17 HRS TOTAL			

ADDITIONAL PRODUCTS

ATEX TORCH (T6)

TR-26B - RIGHT ANGLE

- II 2GD
- Ex eb ib IIB T6 Gb
- Ex tb IIIC T65°C Db
- 20°C to +40°C
- Bulb - 11.4 lumens - Duration 5hrs

TS-26B - STRAIGHT

- II 2GD
- Ex eb ib IIB T6 Gb
- Ex tb IIIC T65°C Db
- 10°C to +40°C
- Bulb - 11.4 lumens - Duration 5hrs

ATEX TORCH (T4)

TR-24B - RIGHT ANGLE

- II 2GD
- Ex eb ib IIB T4 Gb
- Ex tb IIIC T95°C Db
- 20°C to +40/55°C
- Bulb - 16 lumens - Duration 12hrs

TS-24B - STRAIGHT

- II 2GD
- Ex eb ib IIB T4 Gb
- Ex tb IIIC T95°C Db
- 10°C to +40/55°C
- Bulb - 16 lumens - Duration 12hrs



RECHARGEABLE TORCHES

R-50
ZONE 1/21

R-55
ZONE 0/20

A RANGE OF RECHARGEABLE LED SAFETY TORCHES



PRODUCT DIMENSIONS: R-50 / R55: 195mm (H) / 60mm (W) / 80mm (D).

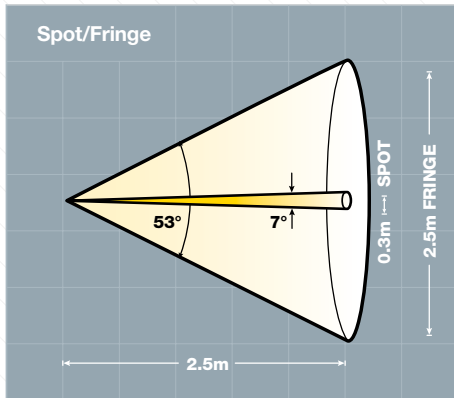
	<p>GAS ZONES 0 · 1 · 2</p>	<p>DUST ZONES 20 · 21 · 22</p>	<p>0.375KG</p>	<p>IP67</p>	<p>RECHARGEABLE</p>	<p>LED</p>
--	---------------------------------------	---	-----------------------	--------------------	----------------------------	-------------------

PRODUCT INFORMATION

- High power LED for outstanding light output
- Compact and lightweight ergonomic torch design
- Two power levels of light output give up to 6.5 hours light duration
- Rechargeable battery with battery power indicator
- Supplied with wrist strap and clip ring
- Emergency illumination function
- Mains and vehicle charger options
- Suitable for cyclic, short and long term standby applications



LIGHT OUTPUT



LUX DATA

Up to 243 lumens (High Power)
2,100 lux @2.5m

Up to 135 lumens (Low Power)



TECHNICAL INFORMATION

RECHARGEABLE TORCHES

MODEL	R-50	R-55
ATEX CODE	I M2/II 2GD	I M1/II 1GD
EX GAS	Ex ib op is I Mb/IIC T4 Gb	Ex ia op is I Ma/IIC T4 Ga
EX DUST	Ex ib op is IIIB T200°C Db	Ex ia op is IIIB T200°C Da
CERTIFICATE	Baseefa05ATEX0069X / IECExBAS06.0001X	
GAS ZONE	1 & 2	0, 1 & 2
DUST ZONE	21 & 22	20, 21 & 22
TEMPERATURE	-40°C to +40°C	
INGRESS PROTECTION	IP67	
CELL	RECHARGEABLE LITHIUM-ION	
DURATION	HIGH POWER 3.5 HRS / LOW POWER 6.5 HRS	

R-XXH = Torch plus Mains Charger R-XXL = Torch plus Vehicle Charger XX=50 or 55

ADDITIONAL PRODUCTS

CHARGER

12-24V DC – RC-200L
100-254V AC – RC-200H



CHARGER BANKS

12-24V DC – RC-203 (x3), RC-204 (x4), RC-205 (x5)
100-254V AC – RC-303 (x3), RC-304 (x4), RC-305 (x5)



ATEX LED HEADTORCHES

HT-400Z0
ZONE 0/20

HT-650
ZONE 0/20

A RANGE OF PRIMARY CELL LED SAFETY HEADTORCHES



42mm



76mm



52mm



84mm

PRODUCT DIMENSIONS: HT-400Z0: 42mm (H) / 76mm (W) / 44mm (D) / Lens diameter 24mm. HT-650: 52mm (H) / 84mm (W) / 56mm (D) / Lens diameter 30mm.
Images above (top to bottom): HT-400Z0 / HT-650



GAS ZONES 0 • 1 • 2	DUST ZONES 20 • 21 • 22

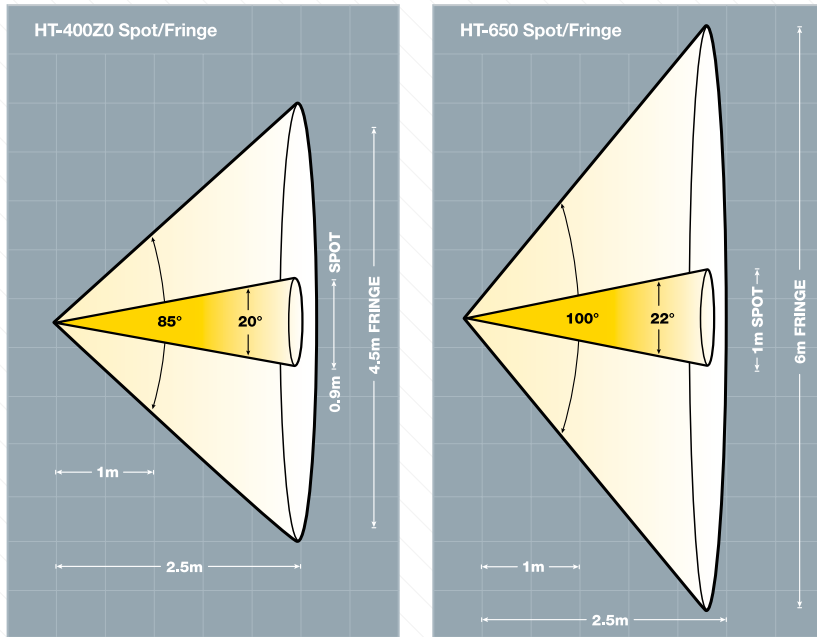
HT-400Z0 – 0.09 KG HT-650 – 0.18 KG	IP66	PRIMARY CELL	LED

PRODUCT INFORMATION

- High Power 'Fitted for Life' LED light source
- Lightweight and ergonomic design
- Single handed switching and light tilt adjustment
- Hands free operation
- IP66 Ingress Protection
- Adjustable, removable headband
- Supplied with helmet clips for hard hat use
- HT-650 also supplied with a rubber helmet strap



LIGHT OUTPUT



LUX DATA

HT-400Z0

Up to 75 lumens,
SPOT 381 lux @1m, 52 lux @2.5m
FRINGE 25 lux @1m, 6 lux @2.5m

HT-650

Up to 130 lumens,
SPOT 493 lux @1m, 67 lux @2.5m
FRINGE 32 lux @1m, 8 lux @2.5m

TECHNICAL INFORMATION

ATEX LED HEADTORCHES		
MODEL	HT-400Z0	HT-650
ATEX CODE	II 1GD	I M1/II 1GD
EX GAS	Ex ia op is IIC T4 Ga	Ex ia op is I Ma/IIC T4/T3 Ga
EX DUST	Ex ia op is IIIB T125°C Da	Ex ia op is IIIB T155°C Da
CERTIFICATE	Baseefa10ATEX0067X / IECEx BAS 10.0023X	
GAS ZONE	0, 1 & 2	0, 1 & 2
DUST ZONE	20, 21 & 22	20, 21 & 22
TEMPERATURE	-20°C to +40°C	
INGRESS PROTECTION	IP66	
CELL	3 X LR03 (AAA)	3 X LR6 (AA)
DURATION	UP TO 8.5 HRS	UP TO 17 HRS



HAZARD LAMP

HL-95
ZONE 0

A PRIMARY CELL LED HAZARD WARNING LAMP

PRODUCT INFORMATION

- Flashing or static output mode selectable
- Operation in flashing mode up to 2 months
- Daylight cut-out mode selectable
- Ultra-bright LED light source
- 180° bi-directional amber lens
- Effective demarcation of hazardous areas



PRODUCT DIMENSIONS: 355mm (H) / 180mm (W) / 165mm (D).



TECHNICAL INFORMATION

HAZARD LAMPS	
MODEL	HL-95
ATEX CODE	II 1 G
EX GAS	Ex ia op is IIC T4 Ga
EX DUST	N/A
CERTIFICATE	BAS 99 ATEX 1044x
GAS ZONE	0, 1 & 2
DUST ZONE	N/A
TEMPERATURE	-10°C to +40°C
INGRESS PROTECTION	IP21
CELL	AIR DEPOLARISED
DURATION	1500 HRS FLASHING, 500 HRS STATIC



GAS ZONES
0 • 1 • 2

KG			
2.9KG INC BATTERY	IP21	PRIMARY CELL	LED

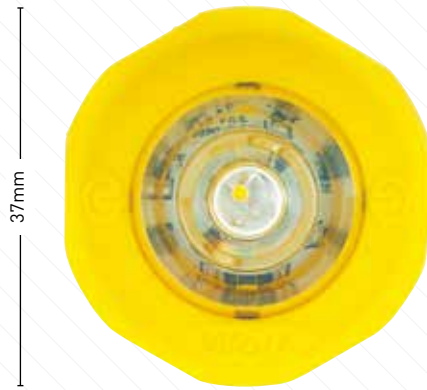
MARKERLITES

ML-15W WHITE ZONE 1/21
ML-15R RED ZONE 1/21
ML-15A AMBER ZONE 1/21

A RANGE OF PRIMARY CELL WARNING INDICATORS

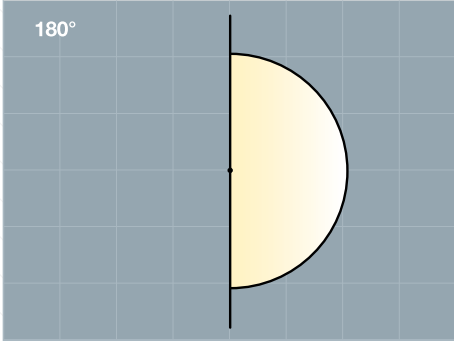
PRODUCT INFORMATION

- Ultra bright 'fitted for life' LED
- Small and lightweight at 23 grams with cells
- Visible over 0.5 miles / 0.8 kilometres away in the dark
- Easily attaches to clothing and equipment
- Fitted with integrated clip and cable tie slot (reusable cable tie supplied)
- 3V Lithium cells last over 65 hrs (flashing) and 25 hrs (static)
- 3 LED colours available – White / Red / Amber
- Ingress protection to IP67
- Supplied with primary cells



PRODUCT DIMENSIONS:
 36mm (H) / 37mm (W) / 37mm (D).

LIGHT OUTPUT



LUX DATA
 Up to 4.7 lumens, 13.4 lux @30cm



NEW ML-605 MARKERLITE ACCESSORY KIT: Containing a magnet, rubber band and crocodile clip

TECHNICAL INFORMATION

MODEL	MARKERLITES		
	ML-15W WHITE	ML-15A AMBER	ML-15R RED
ATEX CODE	II 2 GD		
EX GAS	Ex ib op is IIC T4 Gb		
EX DUST	Ex ib op is IIIB T200°C Db		
CERTIFICATE	Baseefa14ATEX0203, IECEx BAS 14.0095		
GAS ZONE	1 & 2		
DUST ZONE	21 & 22		
TEMPERATURE	-40°C to +55°C		
INGRESS PROTECTION	IP67		
CELL	2 X CR2032 LITHIUM BUTTON CELLS		
DURATION	65 HRS FLASHING, 25 HRS STATIC		

GAS ZONES
1 • 2

DUST ZONES
21 • 22

0.023KG

IP67

PRIMARY CELL

LED

TEMPORARY LIGHTING POWER DISTRIBUTION

Wolf temporary lights provide focused illumination and power – safety assured by ATEX and IECEx certification. From mains and low voltage LED luminaires and floodlights to compressed air operated pneumatic lamps, Wolf brings safe light where lives depend on it.



BENEFITS

FAST

Delivered ready to go, for simple, rapid set up. Designed for safe connection and disconnection in explosive environments.

MOBILE

Lightweight, self contained and easy to move. Integrated stands and handles allow optimum positioning.

BRIGHT

Efficient, high output LED technology delivers the right light for every task, every time.

INDESTRUCTIBLE

Robust, corrosion resistant and impact tested to the limit, Wolf lights are built to survive in harsh places.

ADAPTABLE

Options for every power supply, cable type, fixing, mounting and interconnection – there's a Wolf light for every job.

EVER-LASTING

Long life, maintenance free lights with low power consumption – for a low cost, enduring investment.



LINKEX™ LED FLOODLITES

WF-300®XL
ZONE 1/21



A RANGE OF CABLE POWERED LED FLOODLAMPS



The first and best Temporary Ex LED Floodlite. Market Leader!

PRODUCT DIMENSIONS: WF-300XL: 455mm (H) / 280mm (W) / 370mm (D).

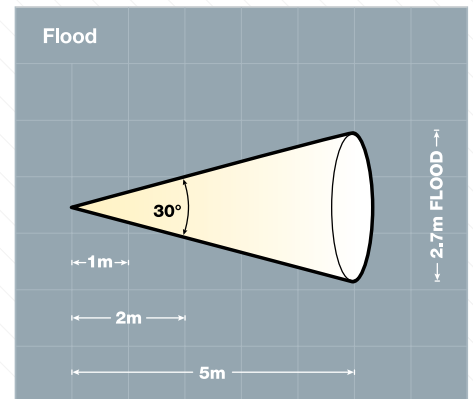
	<p>GAS ZONES 1 • 2</p>	<p>DUST ZONES 21 • 22</p>	<p>KG 7.3KG (EXC CABLE)</p>	<p>IP66/67</p>	<p>CABLE POWERED</p>	<p>LED</p>

PRODUCT INFORMATION

- Ideal for task lighting and work activities in a Hazardous Area
- SOVI™ System – Fitted with Safe Optimal Voltage Indicator. Alerts the user when the lights are running outside the certified safe or optimal voltage range
- Separate LED Drivers – LEDs powered by independent drivers. Should one become damaged the other LED will continue to run not leaving the workforce in the dark
- 2 Independent LED panels, should one fail, the other will continue to safely illuminate the work area
- Safe to 0 volts – Both LV and HV units run safe down to 0 volts
- LINKEX™ Capable – HV unit can be fitted with LinkEx socket, powering 20 lights from once source
- High quality, even, ultra-wide angle LED light, reduces shadows and enhances visibility!
- High power, fitted for life LED light source
- Unique, ATEX/IECEx approved protection accessories available (see page 25)



LIGHT OUTPUT



LUX DATA

Up to 8,668 lumens, 3,573 lux @2m,
572 lux @5m



**Think you're safe?
Know you are with SOVI.™
Unique to Wolf!**

TECHNICAL INFORMATION

ATEX LED HEADTORCHES	
MODEL	WF-300XL
POWER	18-50V AC/DC 90-264V AC
ATEX CODE	II 2 GD
EX GAS	Ex eb mb op is IIC T4 Gb
EX DUST	Ex tb op is IIIC T118°C Db
CERTIFICATE	CML18ATEX3373X / IECEx CML 18.0199X
GAS ZONE	1 & 2
DUST ZONE	21 & 22
TEMPERATURE	-40°C to +55°C
INGRESS PROTECTION	IP66/67

See page 25 for accessories

LINKEX™ LED TEMPORARY LUMINAIRES

LX-400/LX-400E
ZONE 1/21

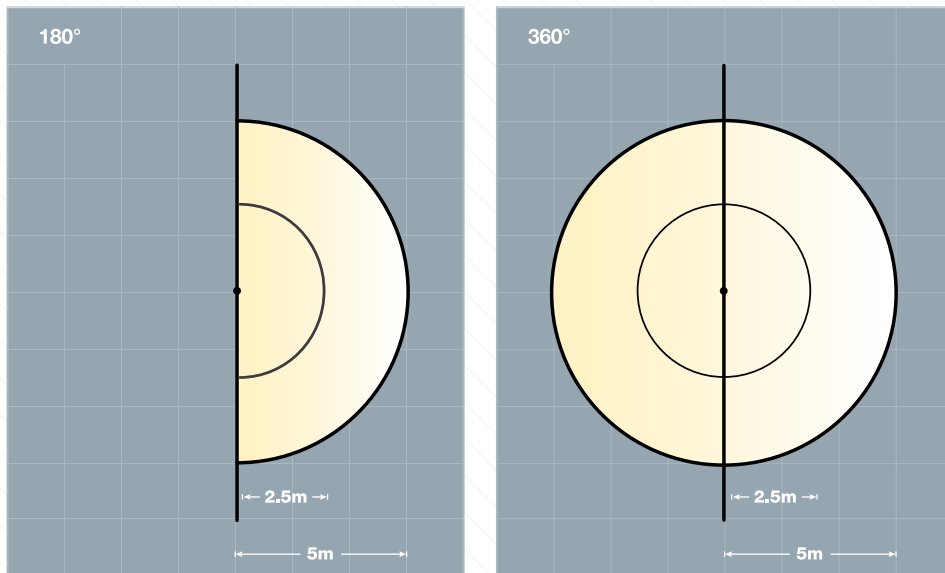


A RANGE OF CABLE POWERED LED TEMPORARY LUMINAIRES



710mm

LIGHT OUTPUT



LUX DATA

LX-400

Up to 4,000 lumens
180° - 130 lux @2.5m, 32 lux @5m
360° - 73 lux @2.5m, 19 lux @5m

LX-400E (Emergency)

Up to 3,000 lumens; 1,500 lumens on emergency battery power
87 lux @ 2.5m mains power
44 lux @2.5m emergency battery power



Think you're safe? Know you are with SOVI.™ Unique to Wolf!



<p>GAS ZONES 1 • 2</p>	<p>DUST ZONES 21 • 22</p>
-----------------------------------	--------------------------------------

<p>3KG (EXC CABLE)</p>	<p>IP66/67</p>	<p>CABLE POWERED</p>	<p>LED</p>
-----------------------------------	-----------------------	-----------------------------	-------------------

PRODUCT INFORMATION

- Ultra bright high power 'Fitted for Life' LED light output
- Incorporates unique SOVI (Safe Optimal Voltage Indicator) monitor
- Available with ATEX plugs and sockets to link in series/chain
- 180° and 360° versions
- Compact and robust design
- Wide voltage input range from 18 to 264V
- Low power consumption and easy to maintain
- Wide range of fixing, mounting and protection accessories available



TECHNICAL INFORMATION

PRODUCT DIMENSIONS: LX-400 128mm (H) / 706mm (W) / 128mm (D).

MODEL	LINKEX™ LED TEMPORARY LUMINAIRE AND EMERGENCY TEMPORARY LUMINAIRE	
	LX-400	
POWER	18-50V AC/DC	90-264V AC
ATEX CODE	II 2 GD	
EX GAS	Ex eb mb op is IIC T4 Gb	
EX DUST	Ex tb op is IIIC T135°C Db IP67	
CERTIFICATE	CML18ATEX3371X / IECEx CML 18.0197X	
GAS ZONE	1 & 2	
DUST ZONE	21 & 22	
TEMPERATURE	-20°C to +55°C	
INGRESS PROTECTION	IP67 (Linkable IP66)	

NEW EMERGENCY LED LUMINAIRE - LX-400E



LINKEX™ LED EMERGENCY TEMPORARY LUMINAIRE

- If the power supply fails the emergency light switches automatically to battery power
- Up to 3,000 lumens light output; 1,500 lumens on emergency battery power
- 3 hours battery duration (at reduced light output) to allow emergency evacuation
- Incorporates unique SOVI™ (Safe Optimal Voltage Indicator) monitor
- Code is the same as the LX-400
- Available in 18-55V AC/DC and 90-264V AC



See page 24/25 for accessories

LINKEX™ ACCESSORIES

A RANGE OF FIXING, MOUNTING AND PROTECTION ACCESSORIES

- ATEX approved for zones 1 and 2 (dust) and 21 and 22 (gas)
- Extensive options for temporary applications
- Simple and quick installation and removal
- Durable and secure mounting and positioning

LINKEX™ LED TEMPORARY LUMINAIRE AND EMERGENCY LUMINAIRE

FIXINGS KITS

Based on Wolf's LinkEx™ LED Temporary Luminaire ATEX certified polymer bracket, with click shut mechanism and screw to lock securely closed.

Wolf's fixing kits give flexible mounting and positioning options for temporary lighting solutions in a hazardous area.

Each kit contains the brackets to mount one LinkEx™ LED Temporary Luminaire or two lights where Dual specified.

BRACKET KIT – LX-690



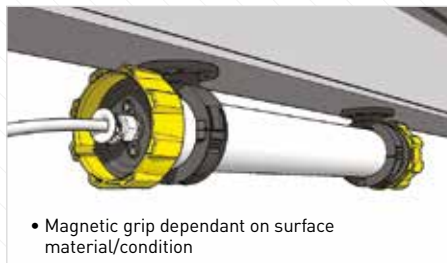
- 2 brackets per pack
- Mount bracket directly to flat surface

SCAFFOLD BRACKET KIT – LX-678



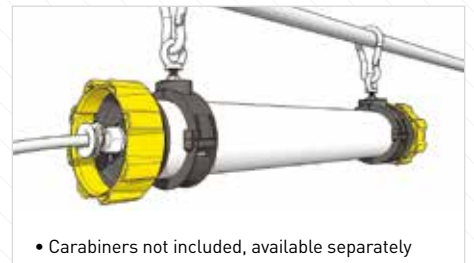
- Fits scaffold poles 47 to 51mm diameter

MAGNET BRACKET KIT – LX-680



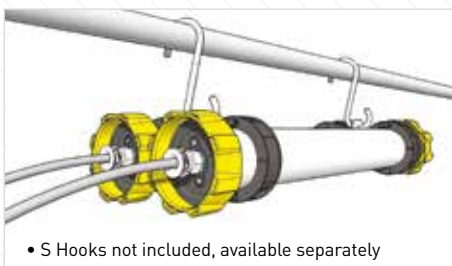
- Magnetic grip dependant on surface material/condition

EYE BOLT BRACKET KIT – LX-671



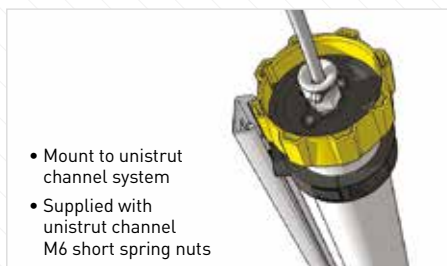
- Carabiners not included, available separately

DUAL EYE BRACKET KIT – LX-672



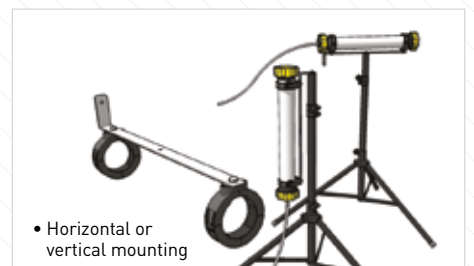
- S Hooks not included, available separately

UNISTRUT BRACKET KIT – LX-679



- Mount to unistrut channel system
- Supplied with unistrut channel M6 short spring nuts

TRIPOD BRACKET KIT – LX-670



- Horizontal or vertical mounting

HANGING STRAP KIT – LX-654



- 2 straps per hanging kit

S HOOK – LX-674



- Stainless Steel
- Length 150mm / Throat 55mm
- (2 per pack)

CARABINER – LX-675

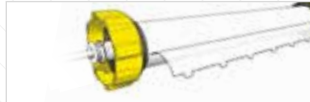


- Stainless Steel
- Length 120mm / Gate 17mm

LINKEX™ LED TEMPORARY LUMINAIRE AND EMERGENCY LUMINAIRE

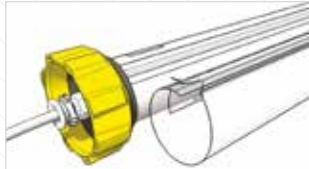
UNIQUE, FULLY ATEX CERTIFIED ANTI-STATIC FILMS AND BAGS

INTERNAL DIFFUSER FILM – LX-374



- 1 film per pack
- For use in very confined spaces with light at head height to minimise glare
- Technician to disassemble luminaire to fit film inside tube

PROTECTIVE FILM – LX-545/3



- 3 films per pack
- Anti-static and Hazardous Area certified

PROTECTION PACKS – LX-621



- Anti-static
- Hazardous Area certified
- 5 bags per pack
- Ta = -20°C to +40°C

MAGNET CABLE TIDY – LX-692



- Attach cable to eye with cable tie (not supplied)
- 1 per pack



TRIPODS

MEDIUM DUTY – LL-699

Max. Height 2.4m

HEAVY DUTY – LL-668

Max. Height 3.2m

For standalone positioning, Wolf's tripods give a stable platform allowing a light to be attached and used at a variety of heights and can be directed upwards illuminating the work area from the underside.

The range of Tripod Stands available are lightweight, easily transportable and will extend a lamp to a height of up to 3.2 metres and are ideal to maximise light area coverage for workers.



LINKEX™ LED FLOODLITE

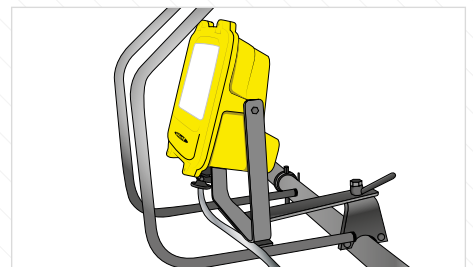
FIXINGS KITS

Wolf's fixing kits give flexible, sturdy mounting and positioning options for temporary applications – putting the floodlite exactly where it is needed.

MAGNET KIT – WF-545



SCAFFOLD KIT – WF-699



FILMS & PROTECTION

Protect the lens and the lamp from damage and dirt to ensure its longevity, in optimal condition, for repeat usage and delivery of maximum light output without obstructions.

ANTI-STATIC LENS GUARD – WF-421/3



- Unique, fully ATEX certified
- Anti-static
- 3 screens per pack

ANTI-STATIC FLOODLITE PROTECTION KIT – WF-462



- Unique, fully ATEX certified
- Anti-static
- 5 covers per pack
- Ta = -40°C to +40°C

PROTECTIVE GRILLE – WF-480



- 1 grille per pack

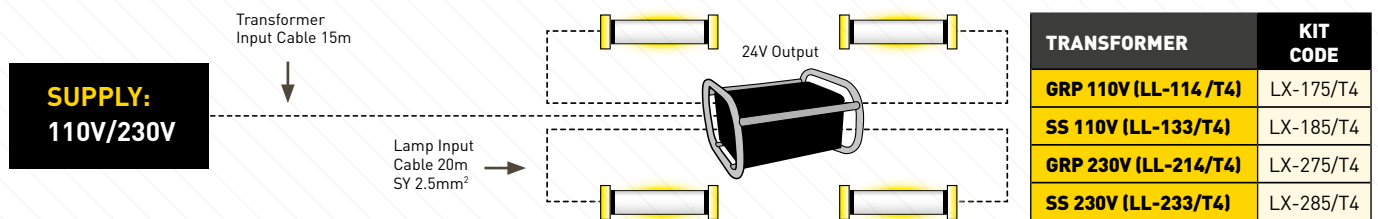
LINKEX™ LED TANK LIGHTING KITS

These Tank Kits allow for a more flexible setup of high quality, low voltage task and ambient lighting to suit all working conditions in tanks and vessels and offer users a high level of safety through a simple configuration of LinkEx™ LED Temporary Luminaires and LinkEx™ LED Floodlites with ATEX Transformer, 230V or 110V to 24V.

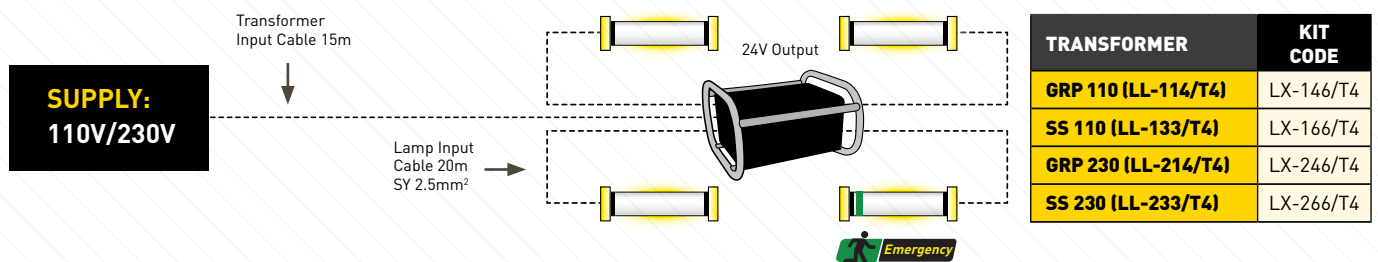
A RANGE OF LOW VOLTAGE TEMPORARY LIGHTING SOLUTIONS

NON-LINKED LIGHTS

4 x LX-400 180°



3 X LX-400 180° + 1 x LX-400E (EMERGENCY)



IN ADDITION TO THE STANDARD CONFIGURATIONS, WE CAN OFFER BESPOKE LED TANK LIGHTING KITS BASED ON YOUR CHOICE OF LIGHTS AND EXTENSIONS ALL SPECIFIED FOR USE FROM ONE TRANSFORMER

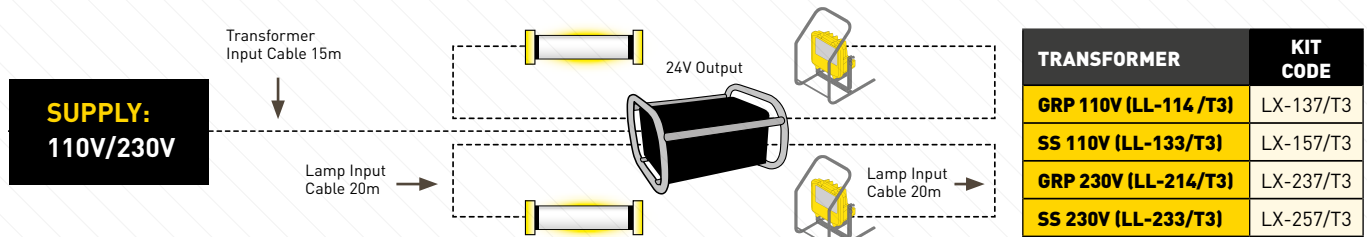
PRODUCT INFORMATION

Wolf Tank Lighting kits offer multiple solutions for providing safe, certified, low voltage lighting into tanks and confined spaces. Safety is enhanced with SOVI™, the unique Safe Optimal Voltage Indicator system, that alerts the user when the lights are running outside the certified safe or optimal voltage range. Wolf Luminaires and Floodlites both feature SOVI™

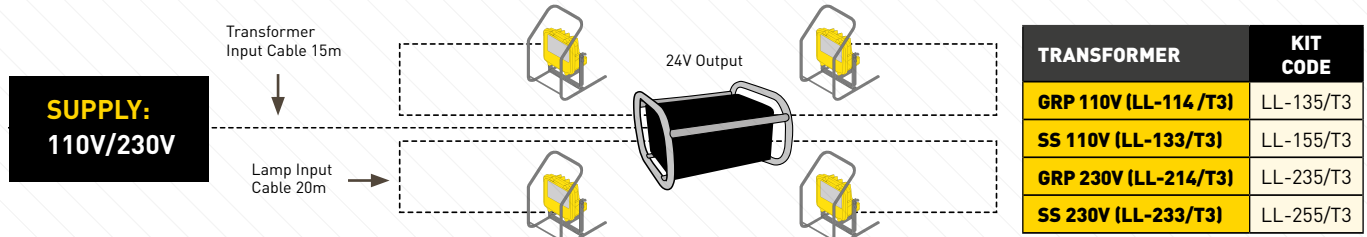
- Ultra bright, high power, low maintenance LED 'Fitted for Life'
- Fitted with ATX plugs and sockets as standard
- Low and easy maintenance
- Robust, durable and lightweight construction
- Quick and easy installation over a large area
- Low power consumption
- Range of cables, plugs and socket types and power distribution systems
- Protective, fixing and mounting accessories



2 x LX-400 180° + 2 x WF-300XL

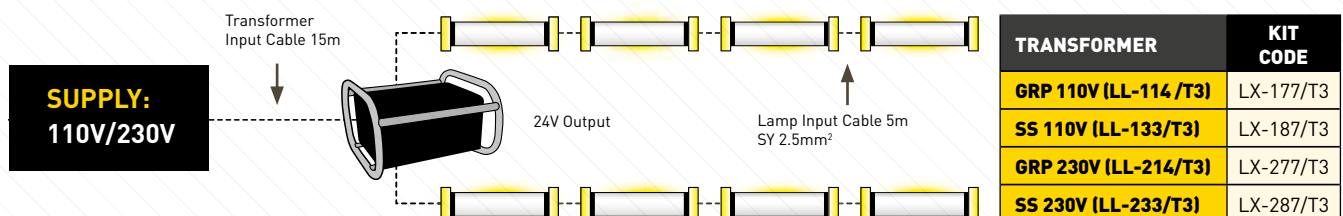


4 x WF-300XL



LINKED LIGHTS

8 x LX-400 180° (2 x chains of 4 linked lights)



ATEX LED INSPECTION LEADLAMPS

SP-600
ZONE 1/21

A RANGE OF CABLE POWERED HANDHELD LEADLAMPS



PRODUCT DIMENSIONS: 335mm (H) / 85mm (W) / 83mm (D).



GAS ZONES
1 • 2



DUST ZONES
21 • 22



1.785KG



IP67



CABLE
POWERED

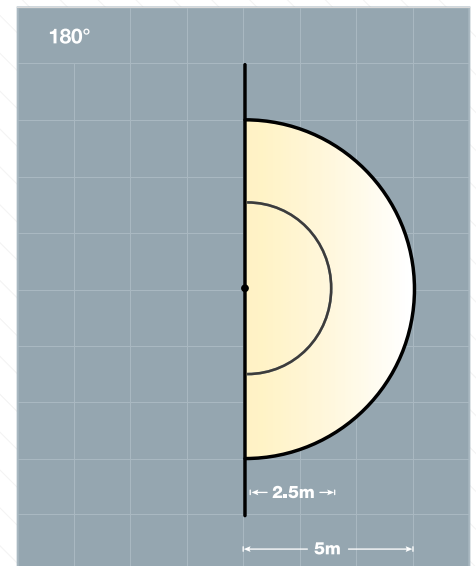


LED

PRODUCT INFORMATION

- Ideal for handheld inspection and work activities in a hazardous area
- 470 lumen high power 'Fitted for Life' LED light source
- High quality, even, ultra-wide angle LED light, reduces shadows and enhances visibility
- Large diffused light source minimises eye discomfort when viewed directly
- Lightweight and compact for handheld use
- Flexible integrated hook for suspension in the work area
- Robust and highly durable enclosure to withstand heavy industrial use
- Wide voltage range models
- Fitted with 10m HOFR cable as standard
- IP67 rated for use in the harshest environments
- Group I mining approval
- Mounting and protection accessories available

LIGHT OUTPUT



LUX DATA

Up to 470 lumens (at source)
/ 403 lumens (from leadlamp)
93 lux @1m, 14.9 lux @2.5m,
3.72 lux @5m

TECHNICAL INFORMATION

MODEL	ATEX LED INSPECTION LEADLAMPS		
	SP-600H	SP-600L	SP-600EL
POWER	90-264V AC	18-54V AC / 20-54V DC	9-16V AC
ATEX CODE	I M2/II 2GD		
EX GAS	Ex eb mb op is I Mb/IIc T4 Gb		
EX DUST	Ex mb op is tb IIIC T95°C Db		
CERTIFICATE	CML19ATEX3021X / IECExCML19.0005X		
GAS ZONE	1 & 2		
DUST ZONE	21 & 22		
TEMPERATURE	-30°C to +55°C		
INGRESS PROTECTION	IP67		

ADDITIONAL PRODUCTS

PROTECTION SLEEVE KIT SP-628

(5 sleeves & 10 cable ties)



Unique ATEX certified anti-static solution

CAGE WITH FIXING BOLT SP-620

CAGE WITH 88MM DIAMETER MAGNET SP-626



66MM DIAMETER MAGNET SP-624



Unique ATEX certified anti-static solution

ATEX TURBOLITES

A RANGE OF HIGH POWER COMPRESSED AIR SAFETY LAMPS

A-TL44A

ALUMINIUM BAY LIGHT. ZONE 1/21

A-TL45A

ALUMINIUM FLOOD LIGHT. ZONE 1/21

A-TL44B

BRASS BAY LIGHT. ZONE 1/21










A-TL45B

BRASS FLOOD LIGHT. ZONE 1/21



Also available in Brass

PRODUCT DIMENSIONS: A-TL44A: 360mm (H) / 230mm (W) / 275mm (D). A-TL45A 370mm (H) / 225mm (W) / 240mm (D).

  	 GAS ZONES 1 · 2	 DUST ZONES 21 · 22	 BAY - 5.5/9.4KG FLOOD - 7.1/13.5KG	 IP68 (ONCE PRESSURISED)	 AIR POWERED	 BULB
--	---	--	--	---	---	--

PRODUCT INFORMATION

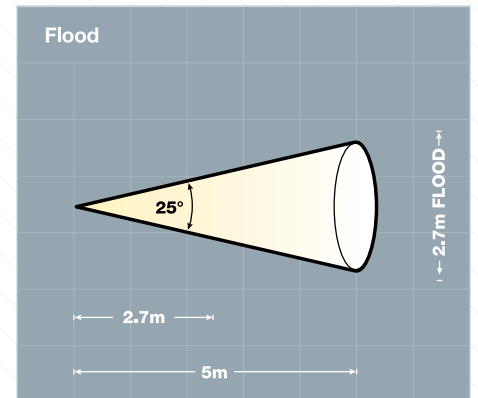
- Available in Brass and super-lightweight Aluminium models
- 250W Halogen bulb light output
- Bay light provides a high level of all-round general illumination
- Flood light gives a wide-angle diffused beam
- Safe compressed air power source
- Fitted with stainless steel exhaust silencer
- Group 1 Mining Approval with brass models



A-TL45A Aluminium Turbolite Floodlight

225mm

LIGHT OUTPUT



LUX DATA

BAY

Up to 9,000 lumens, 360°, 70 lux @2.5m

FLOOD

Up to 9,000 lumens, 950 lux @5m
Also available as 10° SPOT,
2,000 lux @5m



240mm

TECHNICAL INFORMATION

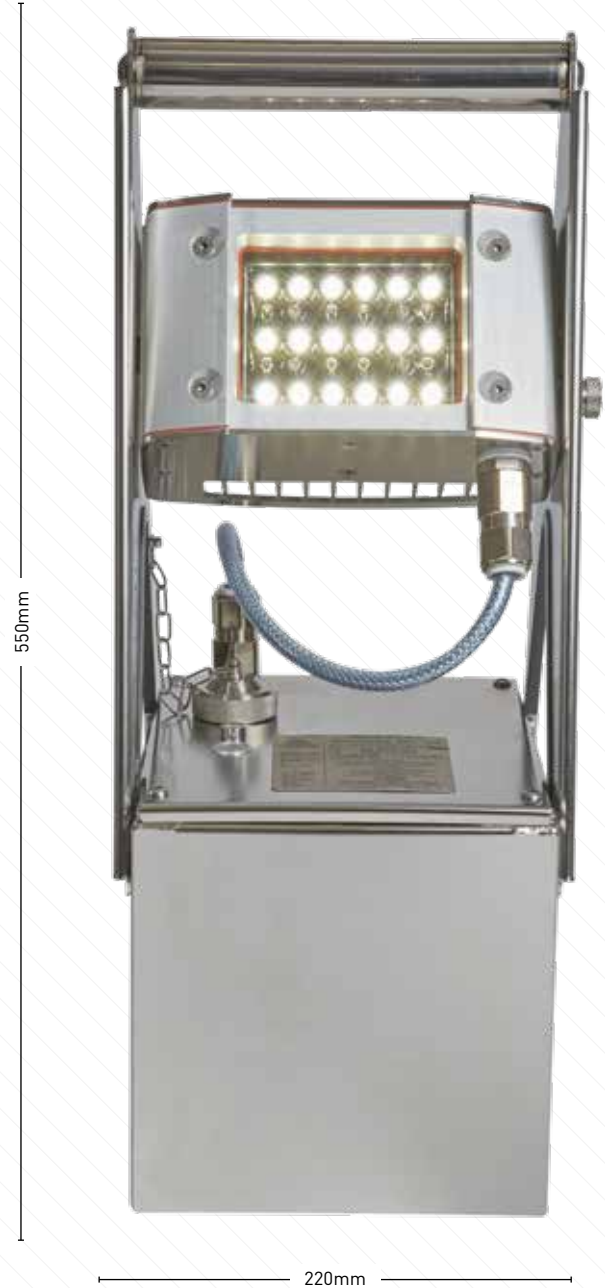
MODEL	ATEX TURBOLITES			
	A-TL44A	A-TL44B	A-TL45A	A-TL45B
CONSUMPTION/ AIR PRESSURE	0.75M ³ /min @ 5.0-8.0 bar			
ATEX CODE	I M2/ II 2 GD			
EX GAS	II T4			
EX DUST	II T135°C			
CERTIFICATE	CML18ATEX9374X			
GAS ZONE	1 & 2			
DUST ZONE	21 & 22			
TEMPERATURE	-20°C to +55°C			
INGRESS PROTECTION	IP67			

ATEX WORKLITES

A RANGE OF RECHARGEABLE LED
WORKLITES AND FLOOD BANKS

WL-80 18 LED
18 AH BATTERY
ZONE 1/21

WL-85 18 LED
33 AH BATTERY
ZONE 1/21



PRODUCT DIMENSIONS: WL-80: 470mm (H) / 215mm (W) / 240mm (D). WL-85: 550mm (H) / 220mm (W) / 240mm (D).

Images above: (left) WL-80, (right) WL-85.



<p>GAS ZONES 1 · 2</p>	<p>DUST ZONES 21 · 22</p>
-----------------------------------	--------------------------------------

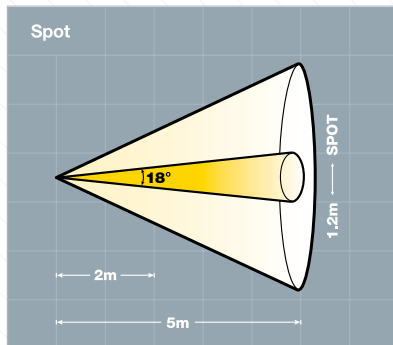
<p>KG WL-80: 16.5 KG WL-85: 23 KG</p>	<p>IP66 AND IP67</p>	<p>RECHARGEABLE</p>	<p>LED</p>
--	-----------------------------	----------------------------	-------------------

PRODUCT INFORMATION

- 3,100 lumens light output at source
- Long duration, up to 21 hours full power, 40 hours half power
- Certified to both IP66 and 67
- Robust durable stainless steel construction battery enclosure and frame
- Locking pivot head to direct light
- Toughened glass lens with optional disposable lens guard
- Rechargeable high capacity battery, fully managed
- State of charge LED indication
- Supplied with a mains charger with state of charge indication, powered from 100 to 254Vac



LIGHT OUTPUT



LUX DATA

Spot Beam, approximately 14°, with a flood of lower fringe light.

FULL POWER Up to 3,100 lumens, 14,146 Lux at 1m, 566 Lux at 5m

HALF POWER Up to 1,550 lumens, 7,455 Lux at 1m, 298 Lux at 5m

TECHNICAL INFORMATION

MODEL	ATEX WORKLITES	
	WL-80	WL-85
ATEX CODE	II 2 GD	
EX GAS	Ex eb ib mb op is IIC T4 Gb	
EX DUST	Ex tb op is IIIC T135°C Db	
CERTIFICATE	CML18ATEX3373X / IECEx CML 18.0199X	
GAS ZONE	1 & 2	
DUST ZONE	21 & 22	
TEMPERATURE	-20°C to +40°C	
INGRESS PROTECTION	IP64/66/67	
BATTERY	Rechargeable Battery, Sealed Gel Lead Acid	
DURATION	High 15 Hours / Low 22 Hours	High 21 Hours / Low 40 Hours

ALTERNATIVE PRODUCT

WOLF FLOODBANK SYSTEM

ATEX ZONE 0 FLOOD BANKS

I M1/II 1GD Ex ia op is I Ma/IIC T4 Ga IP67
Ex ia op is IIIB T185°C Da

XT-602

Inc x2 Wolfrite XT-75H Handlamps & Mains Chargers.
LED – Up to 700 Lumens –
Duration High 7.5hrs / Low 15hrs



XT-604

Inc x4 Wolfrite XT-75H Handlamps & Mains Chargers.
LED – Up to 1,400 Lumens
Duration High 7.5hrs / Low 15hrs



XT-606

Inc x6 Wolfrite XT-75H Handlamps & Mains Chargers.
LED – Up to 2,100 Lumens
Duration High 7.5hrs / Low 15hrs



ATEX TRANSFORMERS

A RANGE OF GRP AND STAINLESS STEEL TRANSFORMERS

GRP
HIGH IMPACT RESISTANCE
FIBREGLASS REINFORCED POLYESTER
ZONE 1/21

SS
STAINLESS STEEL
ZONE 1/21



PRODUCT DIMENSIONS: GRP: 504mm (H) / 465mm (W) / 285mm (D). SS: 512mm (H) / 562mm (W) / 285mm (D).

Images above: GRP. **Opposite page:** SS.

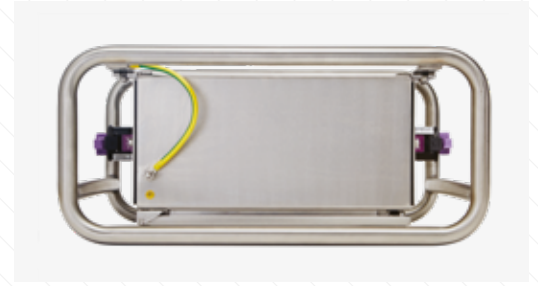


GAS ZONES 1 · 2	DUST ZONES 21 · 22

GRP – 21KG SS – 28KG	IP66	CABLE POWERED

PRODUCT INFORMATION

- Robust and durable construction
- Transportable and portable design
- Wide range of voltages and power ratings available
- 400VA / 320VA / 250VA power rating options
- Fitted with 4 x ATX socket outlets as standard
- Supplied with 15m SY cable and ATX plug



TECHNICAL INFORMATION

ATEX TRANSFORMERS												
MODEL	LL-114/T4	LL-214/T4	LL-221/T4	LL-133/T4	LL-233/T4	LL-243/T4	LL-114/T3	LL-214/T3	LL-221/T3	LL-133/T3	LL-233/T3	LL-243/T3
POWER DESCRIPTION	GRP			Stainless Steel			GRP			Stainless Steel		
INPUT POWER	110V:24V	230V:24V	230V:110V	110V:24V	230V:24V	230V:110V	110V:24V	230V:24V	230V:110V	110V:24V	230V:24V	230V:110V
ATEX CODE	For Output Power ≤ 250VA: II 2 GD						For Output Power ≤ 400VA: II 2 GD For Output Power ≤ 320VA: II 2 GD			For Output Power ≤ 400VA: II 2 GD For Output Power ≤ 320VA: II 2 GD		
EX GAS	Ex d e IIC T4 Gb						For Output Power ≤ 400VA: Ex de IIC T3 Gb For Output Power ≤ 320VA: Ex de IIC T3 Gb			For Output Power ≤ 400VA: Ex de IIC T3 Gb For Output Power ≤ 320VA: Ex de IIC T3 Gb		
EX DUST	Ex t IIIC T130°C Db						For Output Power ≤ 400VA: 400VA: Ex t IIIC T195°C Db For Output Power ≤ 320VA: Ex t IIIC T195°C Db			For Output Power ≤ 400VA: Ex t IIIC T195°C Db For Output Power ≤ 320VA: Ex t IIIC T195°C Db		
CERTIFICATE	LCIE02ATEX6248X / IECEx / LCI 04.0016X			LCIE02ATEX6118X / IECEx / LCI 11.008X			LCIE02ATEX6248X / IECEx / LCI 04.0016X			LCIE02ATEX6118X / IECEx / LCI 11.008X		
GAS ZONE	1 & 2											
DUST ZONE	21 & 22											
TEMPERATURE	-20°C to +55°C						For Output Power ≤ 400VA: -20°C to +35°C For Output Power ≤ 320VA: -20°C to +50°C			For Output Power ≤ 400VA: -20°C to +30°C For Output Power ≤ 320VA: -20°C to +42°C		
OUTPUT POWER	250VA						320/400VA			320/400VA		

ATEX SPLITTER BOXES

LL-260/LL-260SS
ZONE 1/21

A RANGE OF GRP AND STAINLESS STEEL SPLITTER BOXES

PRODUCT INFORMATION

- Robust durable GRP and Stainless Steel construction
- Compact, lightweight and portable configuration
- Fitted with x 4 ATX, CEAG or Stahl sockets, plug and 15m input cable
- 24V, 110V or 230V voltages
- Integrated handle for ease of movement
- Allows versatile lighting configurations
- Alternative voltage, plugs and sockets available on request
- Fully compatible with Wolf's temporary lighting solutions



PRODUCT DIMENSIONS:

GRP: 265mm (H) / 297mm (W) / 445mm (D).

SS: 270mm (H) / 343mm (W) / 494mm (D).

TECHNICAL INFORMATION

ATEX SPLITTER BOXES	
MODEL	LL-260/LL-260SS
ATEX CODE	II 2 GD
EX GAS	Ex de IIC T5 Gb
EX DUST	Ex tb IIIC T90°C Db
CERTIFICATE	BASEEFA12ATEX0268X / IECEX BAS 16.0073X
GAS ZONE	1 & 2
DUST ZONE	21 & 22
TEMPERATURE	-20°C to +50°C
INGRESS PROTECTION	Subject to the Ingress Protection of the socket fitted



GAS ZONES
1 · 2



DUST ZONES
21 · 22



**10KG GRP, 12KG SS
INC CABLE**



IP66



CABLE POWERED

ATEX CABLE REELS

LL-300
ZONE 1/21

A RANGE OF CABLE REELS

PRODUCT INFORMATION

- Compact and solid hard rubber reel body with flat steel frame
- Internal brake which does not produce friction on reel body
- Fitted with ATX or CEAG plug and socket with 30m HOFr cable
- 110V or 230V input voltages
- Facilitates maintenance tasks
- Alternative voltage, plugs and sockets available on request
- Convenient carry handle



PRODUCT DIMENSIONS: 412mm (H) / 314mm (W) / 319mm (D).

TECHNICAL INFORMATION

ATEX CABLE REELS	
MODEL	LL-300
CODE	II 2 G Ex de IIC T6 -20°C to +40°C
CERTIFICATE	PTB03ATEX1186
GAS	1 & 2



GAS ZONES
1·2



12KG INC CABLE



IP54



CABLE POWERED

Ex EXPLAINED



The ATEX Equipment Directive 2014/34/EU covers electrical and mechanical equipment for use in potentially explosive atmospheres within the EU. Only ATEX compliant equipment may be sold for use within the EU in explosive atmospheres. Both ATEX compliant equipment and Ex (which does not comply with the ATEX Directive) are accepted in many territories throughout the rest of the world.

A ATEX MARKING



CE mark denotes manufacturers' declaration of product compliance to all relevant EU Directives

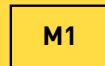
0598 = Number of Notified Body responsible for EU monitoring of production quality



Specific mark for Explosion Protection



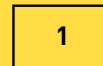
Equipment Group (Mining)



Equipment Category (Mining)



Equipment Group (Industrial)

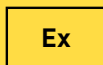


Equipment Category (Industrial)



Defines suitability of use of Group II equipment in gas and/or dust atmospheres

B ATEX EX MARKING FOR EXPLOSIVE GAS ATMOSPHERES TO EN60079



Explosion Protected Equipment



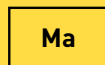
Protection Concept



Optical Radiation Protection Concept



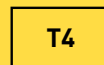
Gas Group



Equipment Protection Level



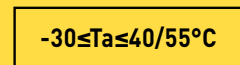
Gas Group



Temperature Classification



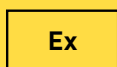
Equipment Protection Level



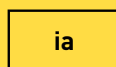
Ambient Temperature Range

Note: 'Ex' and Protection Concepts are not marked if a 'Technical File' from first principles is applied.

C EX MARKING FOR EXPLOSIVE DUST ATMOSPHERES TO EN60079-0



Explosion Protected Equipment



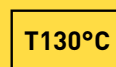
Protection Concept



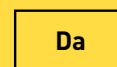
Optical Radiation Protection Concept



Dust Group



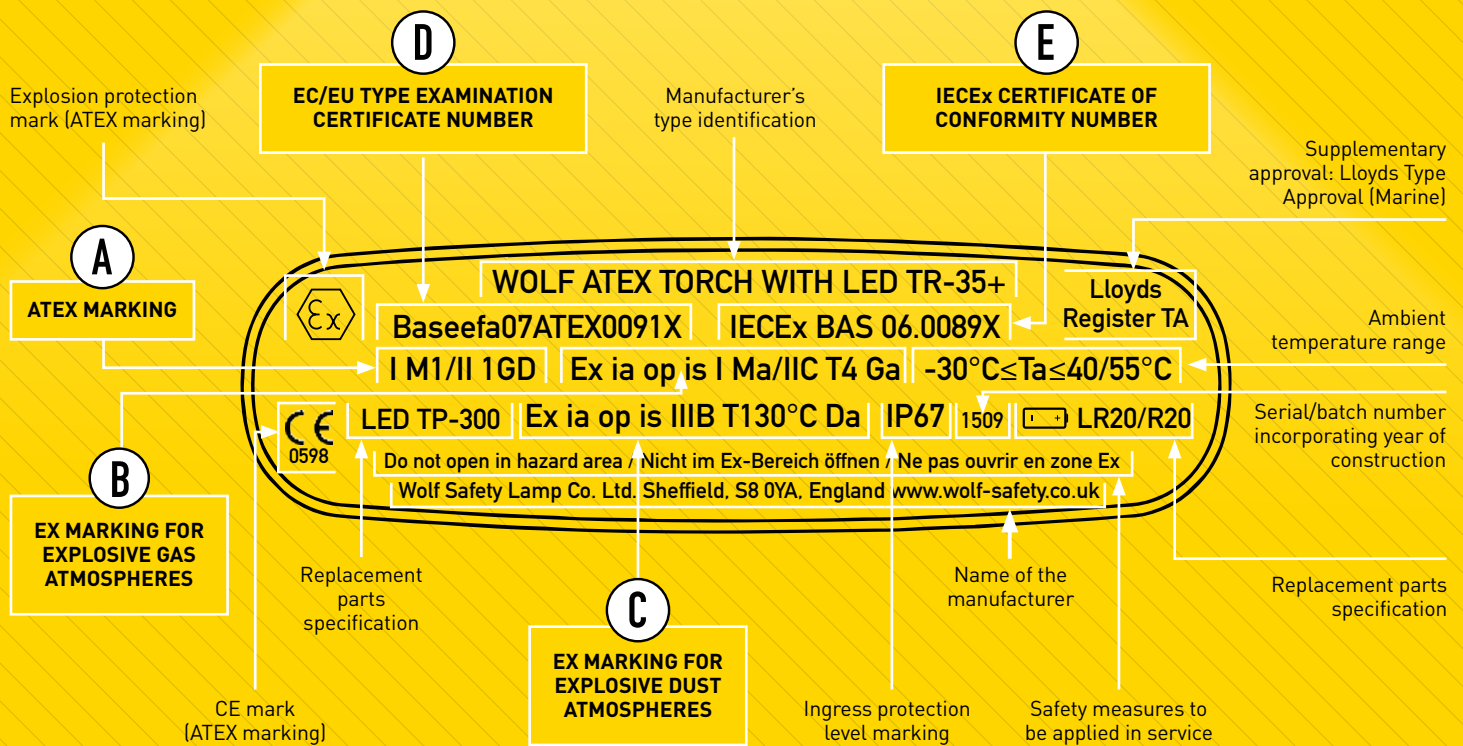
Maximum Surface Temperature



Equipment Protection Level



Ingress Protection Level Marking



D EC/EU-TYPE EXAMINATION CERTIFICATE NUMBER



Specific mark for Explosion Protection

Baseefa

Notified body responsible for EC/EU-Type Examination (Test House)

07

Year Certificate Issued

ATEX

ATEX Certificate

0091

Serial Number

X

Certificate Number Suffix

X Suffix denotes special conditions of certification. **U** Suffix denotes Ex component approval

E IECEX CERTIFICATE OF CONFORMITY NUMBER

Specific mark for Explosion Protection

IECEX

IECEX Certificate

BAS

ExCB - IECEX Certification Body

06.

Year Certificate Issued

0089

Serial Number

X

Certificate Number Suffix

X Suffix denotes special conditions of certification. **U** Suffix denotes Ex component approval

GLOBAL RECOGNITION

Wolf has a well-developed network of experienced distributors around the world.
For more information visit www.wolfsafety.com/distributors



Wolf Safety Lamp Company
Saxon Road Works, Sheffield S8 0YA, UK

T: +44 (0) 114 255 1051 F: +44 (0) 114 255 7988

E: info@wolfsafety.com

www.wolfsafety.com

SL079 Rev 2 DF539

This brochure is provided to aid in the selection of Wolf products for use in potentially explosive atmospheres. Information given is based on practice within the EU, as specified in the requirements of the 94/9/EC – 2014/34/EU ATEX (Equipment) Directive and the 99/92/EC ATEX (Workplace) Directive with further practice outlined for international use within the IECEx Scheme. It is the user's responsibility to ascertain if a particular product is safe and without risk to health and safety by virtue of its location in a hazardous area, i.e. classification of zones, gas groups, ignition temperatures, etc. Both the specifier and user should be thoroughly familiar with the standards mentioned in this guide. Whilst every care has been taken in the compilation of this document, the Company regrets that it cannot accept responsibility for any errors or omissions contained herein. Readers should not rely upon the information contained in this document without seeking specific safety advice and ensuring that their own particular circumstances are in accordance with the matters set out.