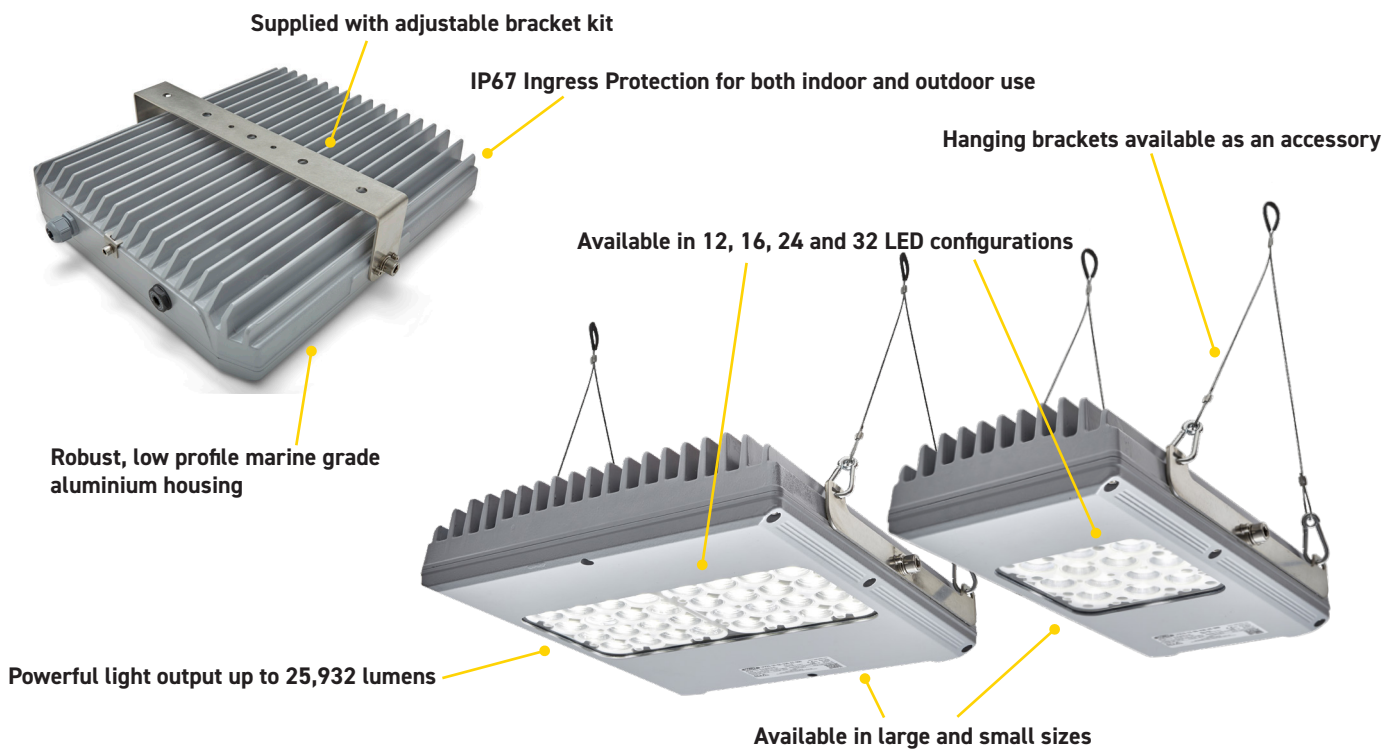


PRODUCT INFORMATION

The LHX Installed LED Highbay range is ideal for use in very high and large hazardous work areas. ATEX, IECEx and UKCA certified to Zones 1 and 21, these high powered, ceiling mounted lamps have a lumen output of up to 25,932 lumens and are IP67 rated making them perfect for both indoor and outdoor use. 4 versions available, in two sizes, LHX1 (small) and LHX2 (large) and 12/16 or 24/32 LED configurations.



FEATURES & BENEFITS

LIGHT OUTPUT

Options for light output from 6,483 lumens to 25,932 - allowing you to choose according to your specific light level requirements

Available in beam angles 32°, 45°, 62° and 102° - allow the light to be directed where needed

5000K white light for bright, crisp lighting that's ideal for general work area illumination

CERTIFICATIONS/SPECIFICATIONS

ATEX, IECEx and UKCA certified for gas Zone 1 and Dust Zone 21

T4 temperature class

An IP67 rating means the LHX Floodlite is suitable for both indoor and outdoor use

With all models having a lower ambient limit of - 50°C and high temperature versions up to +65°C being available, the LHX range is ideal for even the most extreme environments

FEATURES

Simple design ensures quick and easy installation

4 versions available; in 2 sizes - Small (LHX1) and Large (LHX2) - and 12/16 or 24/32 LED arrays

Available as 110V and 230V versions

A robust and durable aluminium body with strengthened glass ensure long life and resistance to damage

Ultra long life LEDs, configured to give 100,000+ hours life

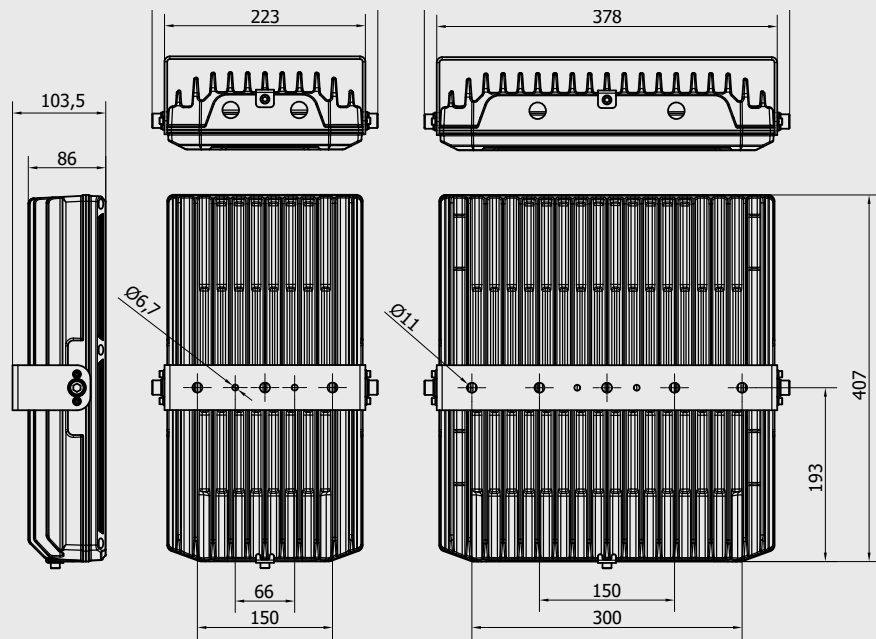
5 year warranty

IES files available upon request

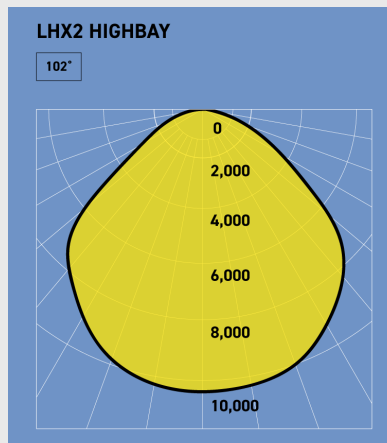
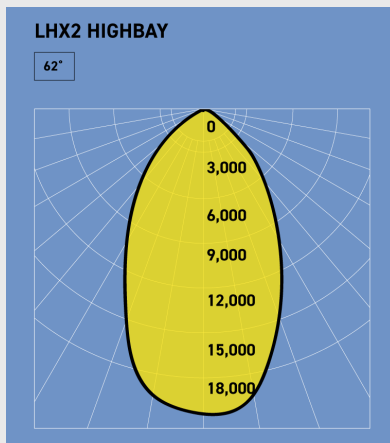
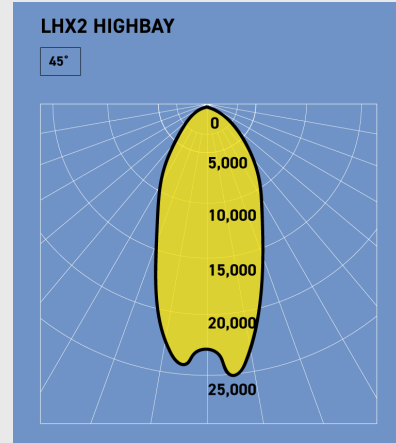
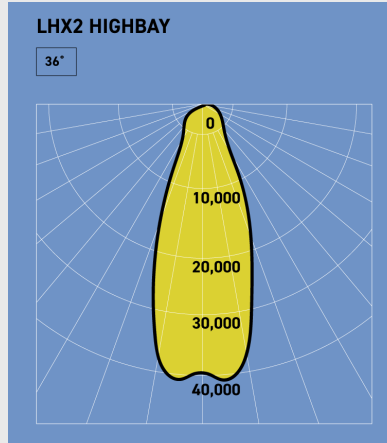
TECHNICAL INFORMATION

PRODUCT DIMENSIONS

LHX HIGHBAY



LIGHT OUTPUT DIAGRAM



LHX HIGHBAY TECHNICAL TABLE

LHX HIGHBAY								
PRODUCT REFERENCE	LHX2S -32-50	LHX2S -32-55	LHX2S -24-50	LHX2S -24-60	LHX1S -16-45	LHX1S -16-55	LHX1S -12-55	LHX1S -12-65
Code	II 2 G D Ex eb mb IIC T4 Gb Ex tb IIIC T110 °C Db							
Certification	ExVeritas 19 ATEX 0586X / IECEx EXV 19.0079X / ExVeritas 21 UKEX 0939X							
Input Voltage Range	180-277V AC	88-140V AC; 180-277V AC	180-277V AC	88-140V AC; 180-277V AC	180-277V AC	88-140V AC; 180-277V AC	180-277V AC	88-140V AC; 180-277V AC
Input Power	180W	120W	135W	90W	90W	60W	67.5W	45W
Frequency	50 - 60 Hz							
Power Factor	>0.95	>0.95	>0.95	>0.95	>0.95	>0.95	>0.90	>0.90
Enclosure Size	Large				Small			
Lumen Output (Max)*	25,932	17,288	19,449	12,996	12,996	8,644	9,724	6,483
LEDs	32 LED	32 LED	24 LED	24 LED	16 LED	16 LED	12 LED	12 LED
Beam Angles	Narrow (36°), Medium (45°), Wide (62°), Ultra Wide (102°)							
Ingress Protection	IP67							
Gas Temp. Class	T4							
Dust Surface Temp.	110°C							
Lower Temp. Limit	-50°C							
Upper Temp. Limit	50°C	55°C	50°C	60°C	45°C	55°C	55°C	65°C

*Lumen output figures stated are for 230V AC

All information has been gathered under laboratory conditions, the user must regard the values given as approximate. Changes may be made to the above specification without notification, details are available on request. E&OE.



Wolf Safety Lamp Company
Saxon Road Works, Sheffield S8 0YA, UK

T: +44 (0) 114 255 1051
E: info@wolfsafety.com



www.wolfsafety.com