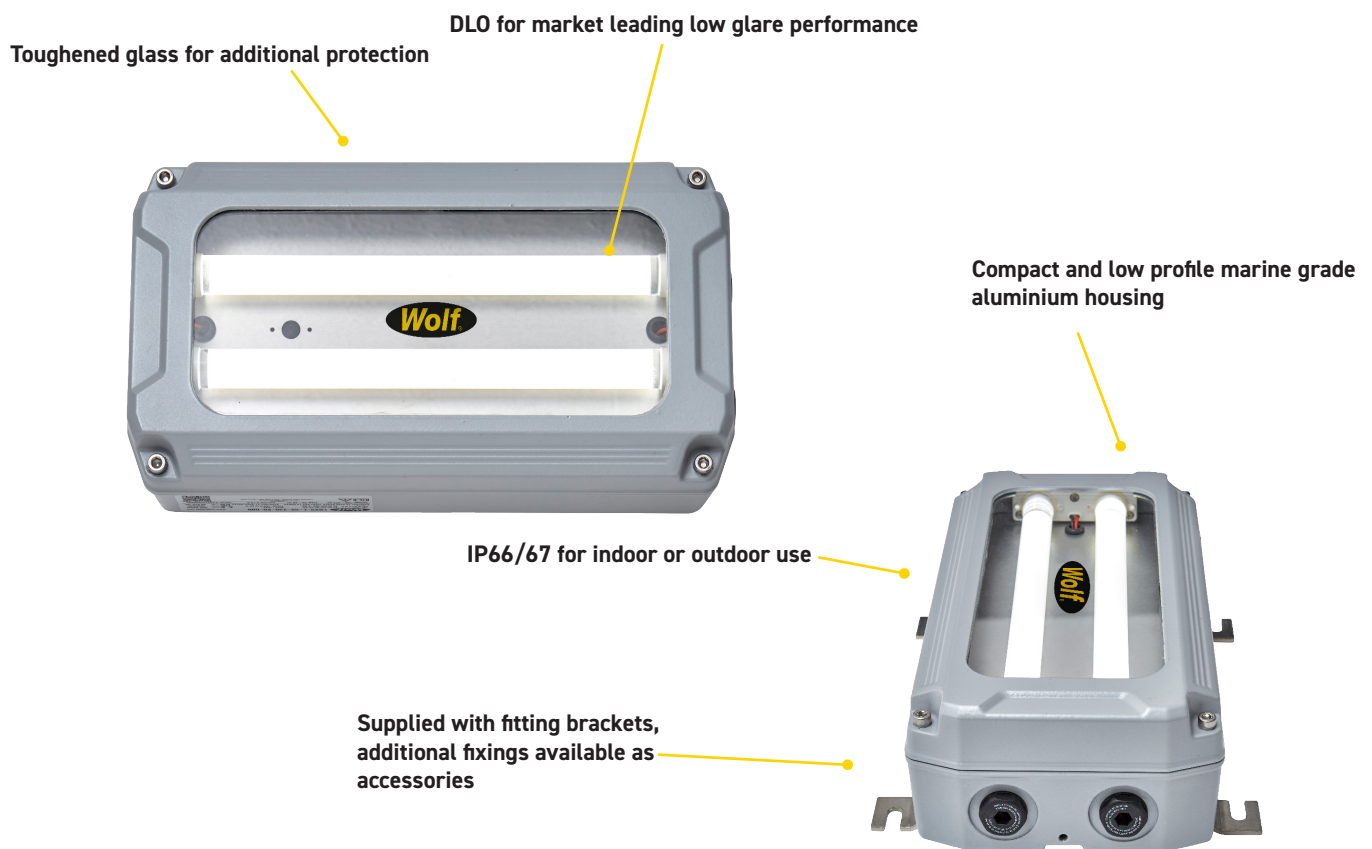


## PRODUCT INFORMATION

The LBX LED Bulkhead is a compact, versatile and robust light ideal for safely illuminating walkways, steps and entrances within Hazardous Areas. ATEX, IECEx, and UKEX certified for safe use in Zones 1/21, all models in the range feature our unique, patented Directional Linear Optics (DLO) technology, which means the beam can be directed exactly where needed, with no overspill or wasted light, and there's low glare - even when installed at eye level. All models are IP66/67 rated, making them perfect for both indoor and outdoor use.



## FEATURES & BENEFITS

### LIGHT OUTPUT

- Directional Linear Optics (DLO) technology ensures low glare, even when installed at eye level
- Available with a 90° beam angle as standard (110° also available upon request)
- Different versions offer a range of light output from 1,086 to 1,629 lumens

### CERTIFICATIONS/SPECIFICATIONS

- ATEX, IECEx and UKEX certified for Gas Zone 1 and Dust Zone 21 Versions with extremely wide operating temperatures available -50°C to +65°C make the LBX Bulkhead suitable for even the most inhospitable of regions
- An IP66/67 rating means the LBX Bulkhead is suitable for both indoor and outdoor use

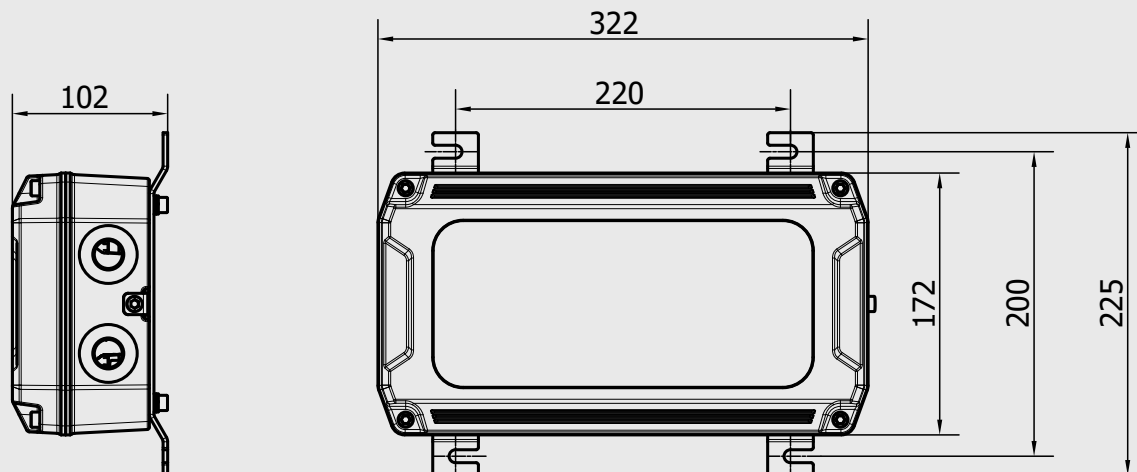
### FEATURES

- Simple design ensures quick and easy installation and maintenance
- Four gland apertures (2x each end) to support through wiring arrangements
- Available as 110V and 230V versions
- Robust and durable, cast aluminium body with toughened glass ensure long life and resistance to damage
- Ultra long life LEDs - configured to give 100,000+ hours life
- 5 year warranty
- IES files available upon request

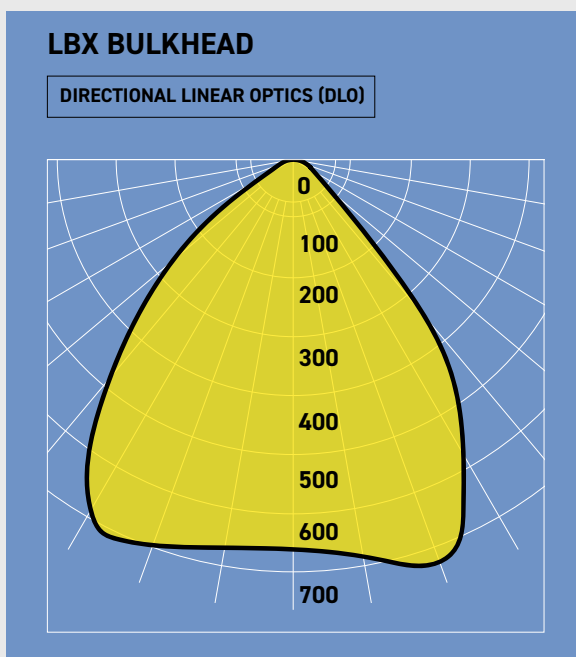
# TECHNICAL INFORMATION

## PRODUCT DIMENSIONS

### LBX BULKHEAD



## LIGHT OUTPUT DIAGRAM



# LBX BULKHEAD TECHNICAL TABLE

LBX BULKHEAD		
PRODUCT REFERENCE	LBXS-L-59	LBXS-L-65
Code	II 2 G Ex eb mb IIC T4 Gb II 2 D Ex tb IIIC T80°C Db	
Certificate	ExVeritas 19 ATEX 0439X / IECEx EXV 19.0002X / ExVeritas 21 UKEX 0945X	
Input Voltage Range	88 - 140V AC; 180 - 277 V AC	
Input Power	24W	16W
Frequency	50 - 60 Hz	
Power Factor	>0.95	
Lumen Output (Max)*	1,629	1,086
LED Module & QTY	1x DLO	
Beam Angles	90° (110° upon request)	
Ingress Protection	IP66/67 (depending on gland fitted)	
Lower Temp. Limit	-50°C	
Upper Temp. Limit	59°C	65°C
Weight	4kg	
Colour Temperature	5000K	

\*Lumen output figures stated are for 230V AC

All information has been gathered under laboratory conditions, the user must regard the values given as approximate. Changes may be made to the above specification without notification, details are available on request. E&OE.



Wolf Safety Lamp Company  
Saxon Road Works, Sheffield S8 0YA, UK

T: +44 (0) 114 255 1051  
E: info@wolfsafety.com

WWW.WOLFSAFETY.COM

