

# WOLFLITE® XT RECHARGEABLE LED HANDLAMP



WITHOUT COMPROMISE

## PRODUCT INFORMATION

The WolfLite® XT Rechargeable Handlamp uses the latest and most advanced technology to deliver excellent performance, robustness, reliability and versatility in the harshest environments and is ATEX, IECEx and UKEX certified for safe use in Zones 1 and 2 potentially explosive gas and Zones 21 and 22 dust atmospheres. A Zone 0 version is also available.

Ultra bright high power LED light up to 430 lumens

Rubbered armoured lens ring

Shock protection

Switchable beam options

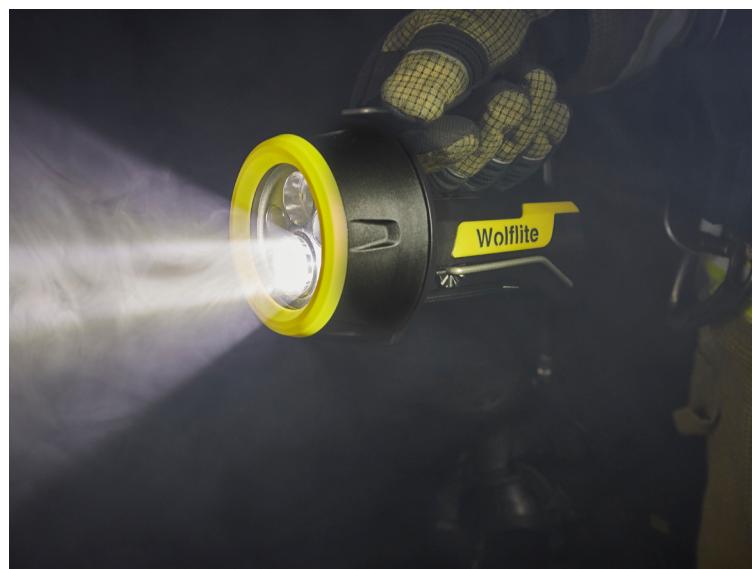
Quick charge from 2 hours



## KEY INFORMATION

### FEATURES AND BENEFITS

- ATEX, IECEx and UKEX certified for use in Zones 1 and 21. A Zone 0 version is also available.
- Ultra bright high power LED light 430 lumens
- Spot and flood switchable beam options
- Up to 11 hours duration on full power, 22 hours in powersave mode
- IP67 certified
- Integral stand for hands free beam direction (all models except XT-50)
- Quick charge, from 2 hours
- Emergency illumination power fail mode
- Supplied with shoulder carrying strap
- Suitable for cyclic and short and long term standby



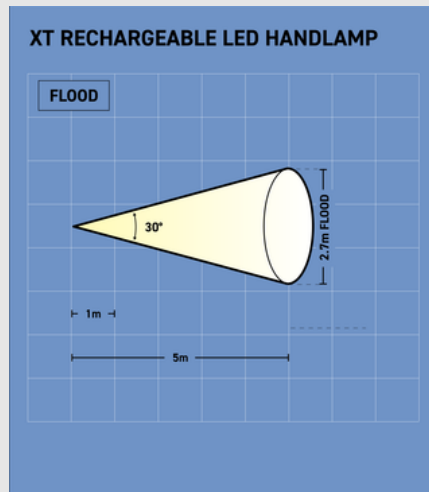
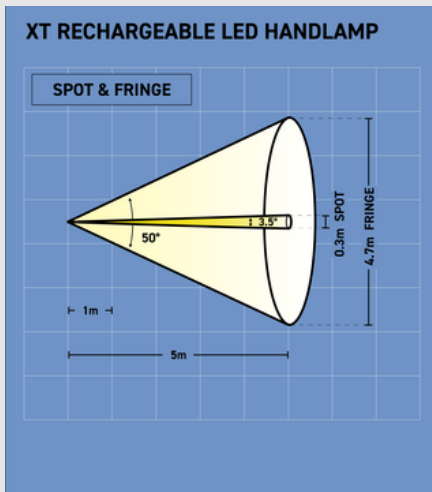
# WOLFLITE® XT RECHARGEABLE LED HANDLAMP

PRODUCT REFERENCE	XT-50	XT-70	XT-90	XT-75
PRODUCT DESCRIPTION	Rechargeable Safety Handlamp			
CODE	I M2 2GD Ex ib IMb Ex ib IIIB T185°C Db IP67		I M1 1G2D Ex ia I Ma Ex ib IIIB T185°C Db IP67	
TYPE OF PROTECTION	"ib" intrinsic safety		"ia" intrinsic	
AREA OF CLASSIFICATION (GAS)	Zones 1 and 2 Gas Groups IIA, IIB & IIC		Zones 0,1 and 2 Gas groups IIA, IIB & IIC	
TEMP. CLASSIFICATION (GAS)	T4			
AREA OF CLASSIFICATION (DUST)	Zones 21 and 22 Dust Groups IIIA and IIIB			
MAX. SURFACE TEMPERATURE (DUST)	185°C			
CERTIFICATE	ATEX Baseefa09 ATEX0326X IECEX BAS 09.0153X UKEX BAS21UKEX0439			
ENCLOSURE	Impact resistant thermoplastic, electrostatic non-hazardous			
LENS	Toughened glass			
BEAM TYPE	Spot	Spot/Flood	Spot/Flood/Signal	Spot/Flood
LIGHT SOURCE:	TYPE	High Power LED		
	QUANTITY	1 x White	2 x White	2 x White 2 x Coloured
	OUTPUT	430 lm (White)		
	LIFE	25,000+ hrs		
POWER SOURCE:	TYPE	Rechargeable battery, Lithium-Ion		
	PART NO.	XT-202	XT-204	XT-206
	LIFE	Up to 500 recharge cycles		
LIGHT DURATION	Up to 4.0 / 8.0 hrs	Up to 7.5 / 15.0 hrs	Up to 11.0 / 22.0 hrs	Up to 7.5 / 15.0 hrs
INGRESS PROTECTION	IP67 to EN60529: 1992			
WEIGHT	1.2Kg			
COMPATIBLE CHARGER	XT-200L 12-24Vdc / XT-200H 90V-254Vac			
RECHARGE TIME	2.0 hrs	3.5 hrs	4.5 hrs	3.5 hrs



# TECHNICAL INFORMATION

## LIGHT OUTPUT DIAGRAM



**XT-50, XT-70, XT-90, XT-75** - Spot Beam

(approx 3.5°) with a low power Fringe Beam (approx 50°)

Peak luminous intensity, high power at 1m **13,130 lux**, at 5m **620 lux**

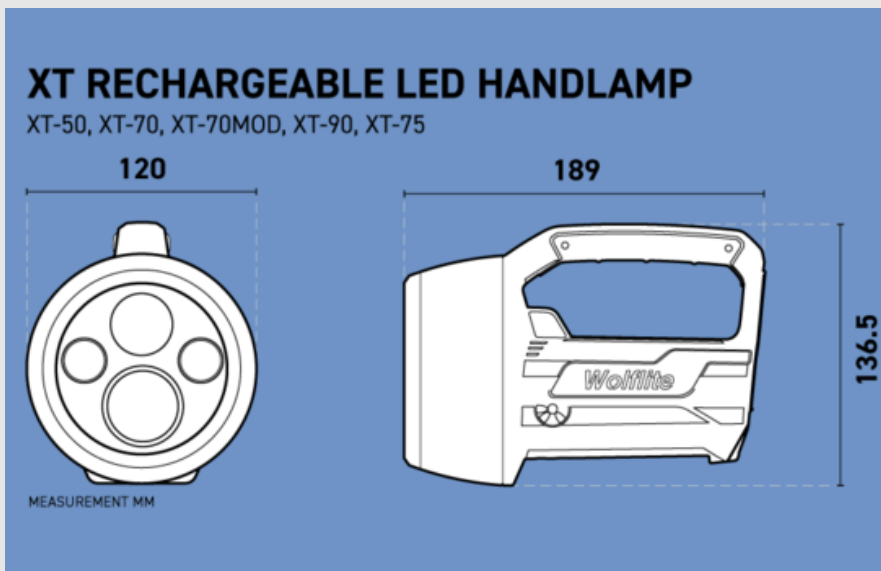
Peak luminous intensity, 'powersave' at 1m **8,050 lux**, at 5m **370 lux**

**XT-70, XT-90, XT-75** - Flood Beam (approx 30°)

Peak luminous intensity, high power at 1m **260 lux**, at 5m **14 lux**

Peak luminous intensity, 'powersave' at 1m **150 lux**, at 5m **9 lux**

## PRODUCT DIMENSIONS



Wolf Safety Lamp Company  
Saxon Road Works, Sheffield S8 0YA, UK

T: +44 (0) 114 255 1051

E: [info@wolfsafety.com](mailto:info@wolfsafety.com)

