

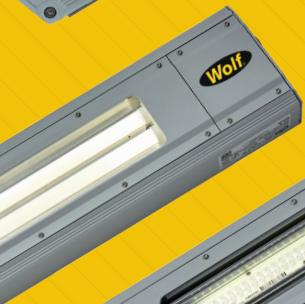


WITHOUT COMPROMISE

NEW

HAZARDOUS AREA INSTALLED LED LIGHTING

INTRODUCING DLO – THE REVOLUTIONARY
NEW DIRECTIONAL LINEAR OPTICS INNOVATION FROM WOLF



LMX LINEAR

LMXE EMERGENCY LINEAR

LFX FLOODLITE

LHX HIGHBAY

LBX BULKHEAD

LBXE EMERGENCY BULKHEAD



BRITISH DESIGN, INNOVATION AND MANUFACTURE SINCE 1912



CONTENTS

03	WOLF SAFETY INSTALLED LIGHTING RANGE
04	DLO DIRECTIONAL LINEAR OPTICS
06	DLO OR FFA? - HOW TO CHOOSE
08	ADDITIONAL SERVICES
10	LMX LINEAR
12	LMXE INTELLIGENT EMERGENCY LINEAR
14	LFX FLOODLITE
16	LHX HIGHBAY
18	LBX BULKHEAD
20	LBXE INTELLIGENT EMERGENCY BULKHEAD
22	ACCESSORIES
23	OTHER SERVICES

WOLF SAFETY, THE WORLD'S LEADING MANUFACTURER OF PORTABLE AND TEMPORARY ATEX, UKEX AND IECEX CERTIFIED HAZARDOUS AREA SAFETY LIGHTING, IS NOW PROUD TO INTRODUCE THE NEW WOLF RANGE OF LED INSTALLED LIGHTING FOR SAFE USE IN POTENTIALLY EXPLOSIVE ATMOSPHERES.



Founded in 1912, Wolf has been lighting the way and keeping workers safe in potentially explosive atmospheres for well over 100 years.

Already world leaders in Portable and Temporary Hazardous Area Lighting, we have now put our experience, manufacturing skills and expertise into developing the next generation of innovative Hazardous Area LED Installed lighting

Manufactured in our Sheffield, UK production facility, the brand new Wolf range of ATEX, IECEx and UKEX certified explosion protected LED Installed Lighting consists of:

- Linear luminaires (including Intelligent Emergency versions)
- Floodlights
- Highbays
- Bulkheads (including Intelligent Emergency versions)

Revolutionary patented Directional Linear Optics (DLO) LED technology, unique to Wolf, is available as an option in the LMX Linear range and as standard in the LBX Bulkhead range.

With the addition of this new lineup of Hazardous Area Installed lighting to the existing range of Portable and Temporary lighting and Power Distribution products, Wolf now offers the most comprehensive range of Hazardous Area lighting available anywhere.



DIRECTIONAL LINEAR OPTICS (DLO)

Directional Linear Optics (DLO) is Wolf's revolutionary patented light delivery technology which combines all the benefits of fluorescent and LED technology, whilst eliminating the drawbacks of both.

Designed and produced with quality of light as its primary function, DLO technology takes full advantage of the efficiency and cost benefits of LEDs, but with light output that mimics traditional fluorescent fittings, with immediately visible improved light output quality over established LED fittings.

DLO technology:

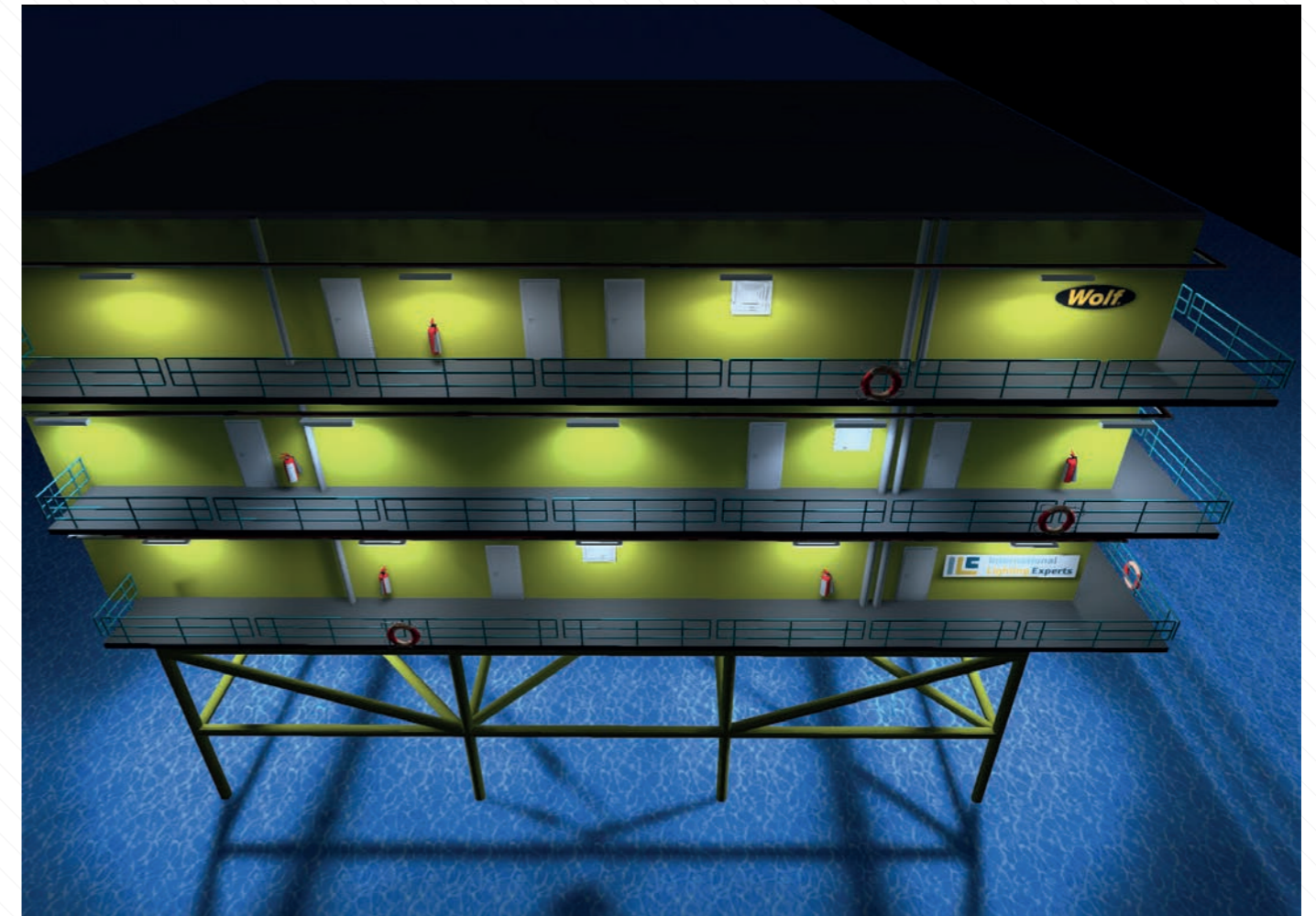
- Delivers very high light uniformity with minimal glare
- Directs light where needed, eliminating unwanted and costly spill – almost 100% of optical output is useful illumination
- Has zero colour shift with angle change – absolute colour uniformity
- Excellent colour definition and CRI makes it essential in colour critical tasks such as:
 - Reading labels
 - Wiring
 - Electronic assembly
 - Inspection processes
 - Maintenance procedures

Human centric benefits:

Human centric lighting has been seen to aid the sense of overall well-being in workers and can lead to higher motivation and increased productivity due to reduced eye strain and fatigue through controlled intensity and glare.

The Wolf Installed LMX and LBX luminaires using DLO LED technology employ patented Directional Linear Optic rods, efficiently collecting light from Wolf's LEDX high intensity LED sources, dispersing then emitting that light over the Optic rod major projected surface, maintaining high lumen levels but reducing light intensity by a factor of 500 times, to a low intensity, eye-friendly light.

This high lumen, low intensity light produced by Wolf DLO LED Technology is ideal for use in localised and close proximity lighting applications, including control areas, manufacturing locations and access routes, minimising risk of debilitating glare caused by established high intensity Ex LED luminaires.



Directional Linear Optics supplies consistent and even illumination which, as well as reducing glare to a minimum, can help reduce the number of lights required to achieve target lighting levels and reduce ongoing running cost.



LMX Linear Luminaire fitted with DLO Technology



LBX Bulkhead fitted with DLO LED Technology

Products which utilise Directional Linear Optics (DLO):

Directional Linear Optics (DLO) LED technology is available as an option in the LMX2 (2ft) and LMX4 (4ft) Linear Luminaire models, and is fitted as standard in the LBX Bulkhead, including emergency versions of all of these models.

DLO OR FFA? HOW TO CHOOSE

The Wolf LMX Linear range is available in both conventional FFA (Forward Facing Array) LED modules and the revolutionary Directional Linear Optics (DLO) modules. This allows users to select the optimal and most efficient illumination for their specific application.

The LBX Bulkhead range is solely available with DLO LED Technology, delivering ideal low glare illumination in eye-level applications where bulkhead fittings are typically used.

Use LMX Directional Linear Optics (DLO) LED Technology luminaires to reduce debilitating glare when:

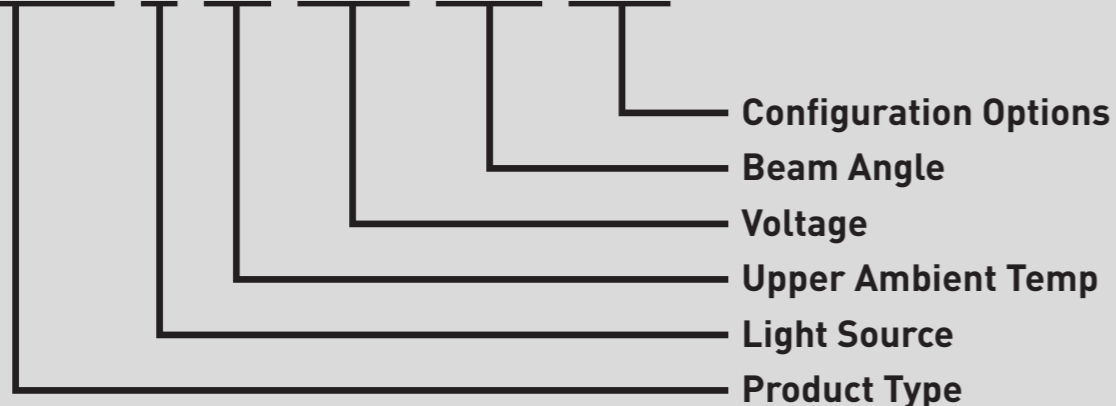
- Lights are mounted at a lower level (in the eyeline)
- Operators are present for longer periods
- Work requiring high quality, consistent light is required

Use LMX FFA (Forward Facing Array) LED Technology luminaires when:

- Illuminating large areas and the light is mounted at a greater height or distance away from operators (so they are not affected by glare and intensity)
- More transient areas, where operators are not working continuously

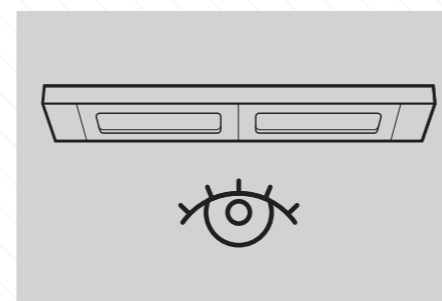
PRODUCT PART CODES EXPLAINED

LMX2S-F-60-XXX-YYY-ZZZ

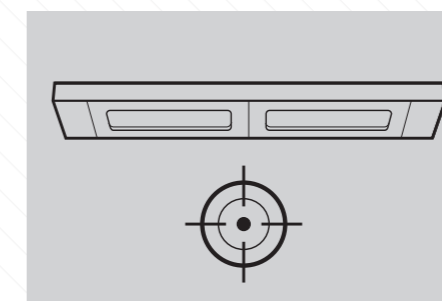


LM - Linear Aluminium
 X = Zone 1
 2S = 2ft Standard

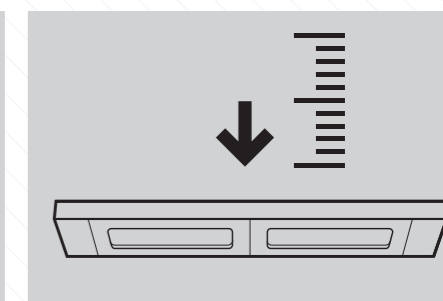
USE DLO WHEN...



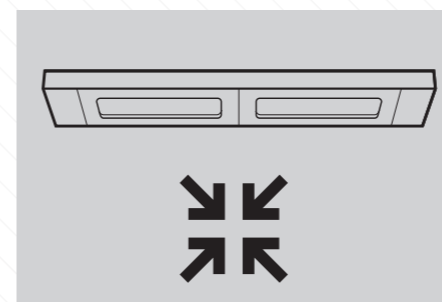
Operators are likely to glance at or look towards the light source



Light needs to be directed to a precisely defined area, without overspill



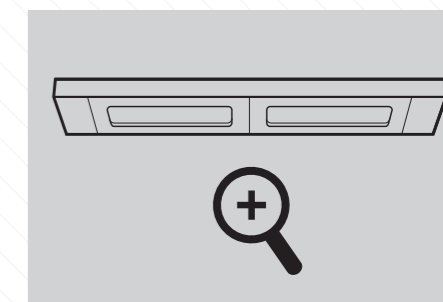
The light mounting is low



The area to be illuminated is smaller or more specific

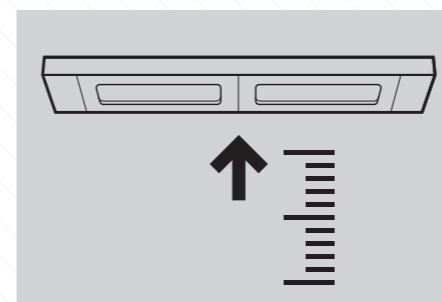


Operators are present for longer periods in the illuminated area

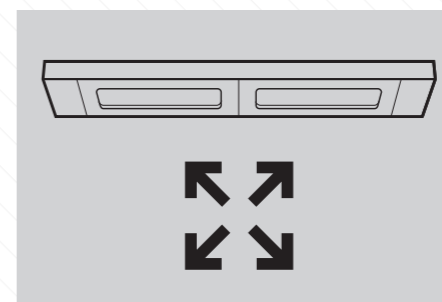


When close, high quality or inspection work is to be carried out in the illuminated area

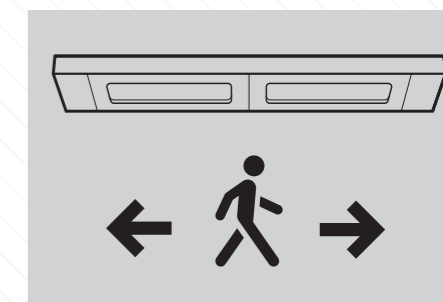
USE FFA WHEN...



The light is mounted on a high ceiling



The area to be illuminated is larger

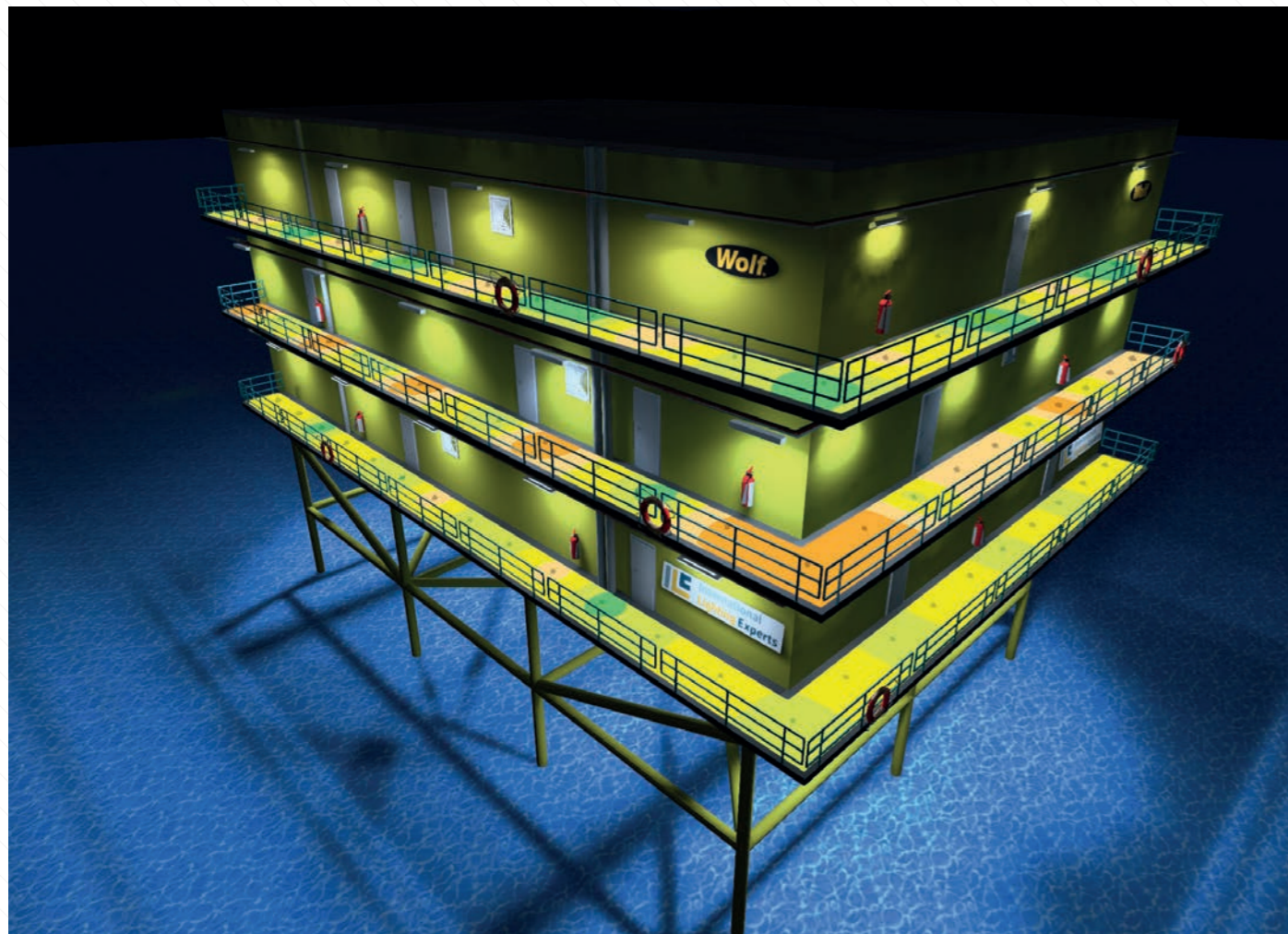
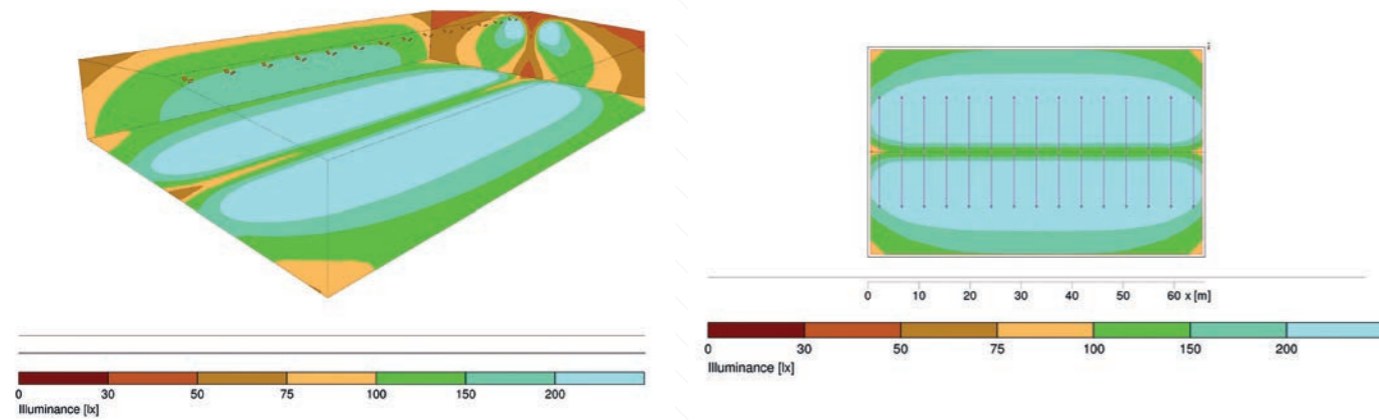


It is a more transient area, or operators are not continuously present

ADDITIONAL SERVICES

Lighting Installation

Our technical team can provide detailed lighting plans to illustrate the differing options we are able to offer, clearly demonstrating lux levels and the direction and spread of light in the areas to be illuminated.



TECHNICAL SUPPORT

As a leading designer and manufacturer of hazardous area lighting, our expert and highly experienced technical team knows the Wolf range inside out and is always available to support you when needed.



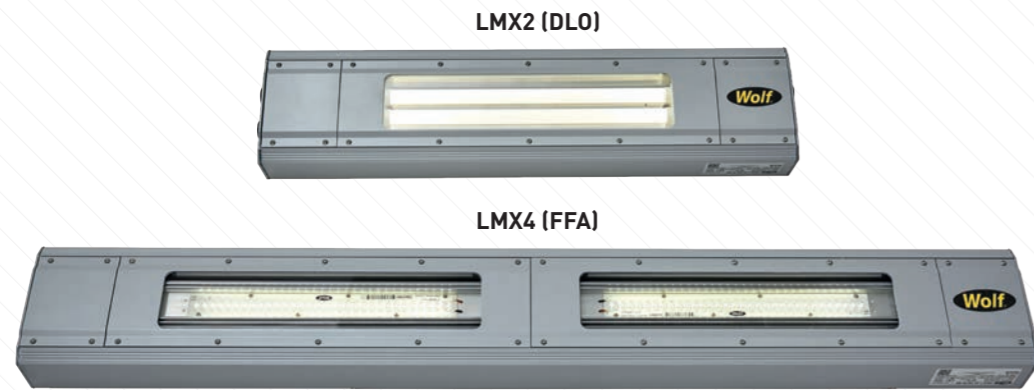
SALES SUPPORT

Our friendly and highly knowledgeable team will help you from the very first enquiry right through to shipping your order and dealing with any post purchase queries. In addition, refurbishment and repair services are available, should they be required.



ZONE 1/21 INSTALLED LIGHTING RANGE

LMX LINEAR



The LMX installed linear range is ATEX, IECEx, and UKEX certified for safe use in Zones 1 and 21 potentially explosive atmospheres. Ideal for general illumination requirements in Hazardous Areas, all products are IP66/67 rated, tough, reliable and ideal for indoor or outdoor use in new installations or for replacing existing fluorescent or LED installations for improved performance, greater reliability and lower energy consumption.

- Available in either FFA or DLO versions, allowing you to select the optimum illumination for your specific application
- Forward Facing Array (FFA) versions are ideal for illuminating larger areas, where the light is mounted away from the direct eye line
- Patented Directional Linear Optics (DLO) versions offer market leading low glare performance, the ability to illuminate precisely defined areas with no light overspill or wasted light output
- Up to a remarkable 5,258 lumens of light output (LMX4, FFA version) ensuring fewer lights are needed than lower output models
- All models are T4 Temperature Class and have a lower ambient temperature of -50°C. High temperature versions are available with an upper temperature limit up to 60°C, ideal for use in hotter climates, including the Middle East
- IP66 and IP67 rated (depending on gland fitted) - ideal for indoor and outdoor use
- Colour temperature: 5000K for bright and crisp light that's ideal for general illumination
- Simple but effective design of extruded aluminium and glass ensures supreme reliability and performance under even the harshest of conditions
- The modular LED system allows easy, quick and efficient servicing, repair and replacement if necessary through easy access and rapid part replacement
- Standard industry luminaire lengths and fittings allow the easy retrofit of existing fluorescent installations
- Advanced thermal management technology; ensures a lifetime of up to 100,000 hours
- 5 year warranty supplied as standard



LMX LINEAR TECHNICAL TABLE

	LMX2S -F-50	LMX2S -F-60	LMX2S -L-50	LMX2S -L-60	LMX4S -F-50	LMX4S -F-60	LMX4S -L-50	LMX4S -L-60
Code	II 2 G Ex eb mb IIC T4 Gb II 2 D Ex tb IIIC T80°C...T90°C Db (dependent on model type)							
Certificate	ExVeritas 19 ATEX 0433X / IECEx EXV 19.0001X / ExVeritas 21 UKEX 0946X							
Input Voltage Range	88-140V AC; 180 - 277 V AC							
Input Power (230V)	23W		24W		46W		48W	
Frequency	50 - 60 Hz							
Power Factor	>0.90							
Enclosure Size	2ft				4ft			
Lumen Output (max)*	2,629	2,629	1,988	1,988	5,258	5,258	3,976	3,976
LED Module & Quantity	1x FFA	1x FFA	1x DLO	1x DLO	2x FFA	2x FFA	2x DLO	2x DLO
Beam Angles	115°		90° (110° upon request)		115°		90° (110° upon request)	
Ingress Protection	IP66/67 (depending on gland fitted)							
Lower Temp. Limit	-50 °C							
Upper Temp. Limit	50 °C	60 °C	50 °C	60 °C	50 °C	60 °C	50 °C	60 °C
Weight	5kg				9kg			
Colour Temperature	5000K							

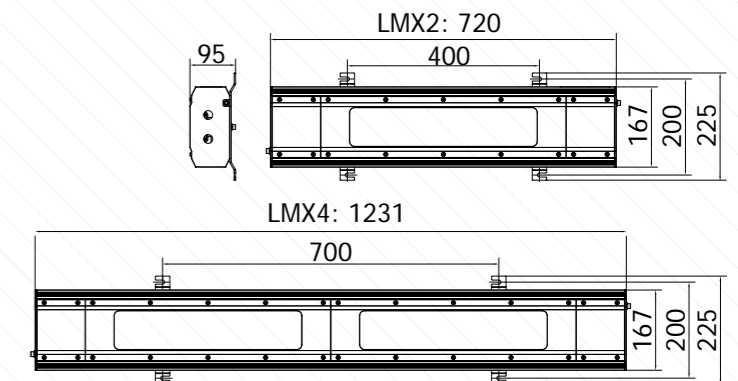
*Lumen output figures stated are for 230V AC

**For certification codes and full product details, visit our website at www.wolfsafety.com

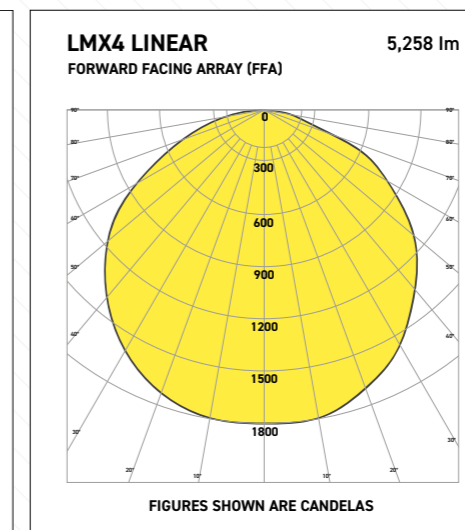
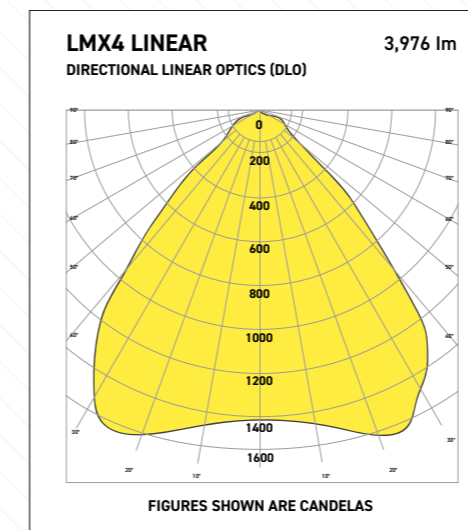
All information has been gathered under laboratory conditions, the user must regard the values given as approximate. Changes may be made to the above specification without notification, details are available on request. E&OE.

PRODUCT DIMENSIONS (IN MM)

Please note mounting brackets are available separately as an accessory.



LIGHT OUTPUT DIAGRAMS



ZONE 1/21 INSTALLED LIGHTING RANGE

LMXE EMERGENCY LINEAR

LMX2E (DLO)



LMX4E (FFA)



The LMXE Intelligent Emergency Linear provides the additional safety of an emergency back-up supply should power fail in the Hazardous Area.

The LMXE Emergency has all the features and benefits of the standard LMX linear range (see previous pages), with the additional advantage of the following emergency mode durations (selectable by the installer on-site) supplied by the NiMH battery:

- 4 hours at 25% output (LMX2E models); 4 hours at 12.5% output (LMX4E models)
- 2 hours at 50% output (LMX2E models); 2 hours at 25% output (LMX4E models)
- 1 hour at 100% output (LMX2E models); 1 hour at 50% output (LMX4E models)

LMX4E models have one “emergency” and one “standard module”

The Intelligent Emergency circuit automatically performs periodic functional and battery duration self-testing to monitor the system and battery condition. Throughout this period LED output from the Emergency Linear remains at full power to ensure activities and operations in the vicinity remain undisturbed.

A 3 colour LED indicator will show the state of the circuit:

- Green indicates that everything is functioning correctly
- Amber indicates the unit is executing a self-test
- Red indicates a fault or that the battery hasn't reached full capacity (see manual for further details)

LMXE EMERGENCY LINEAR TECHNICAL TABLE

	LMX2E -F-60	LMX2E -L-60	LMX4E -F-60	LMX4E -L-60
Code	II 2 G Ex eb mb IIC T4 Gb II 2 D Ex tb IIIC T80°C...T90°C Db (dependent on model type)			
Certificate	ExVeritas 19 ATEX 0433X / IECEx EXV 19.0001X / ExVeritas 21 UKEX 0946X			
Input Voltage Range	100-140V AC; 200-277V AC			
Input Power (230V)	31W	32W	52W	56W
Frequency	50 - 60 Hz			
Power Factor	>0.90			
Enclosure Size	2ft		4ft	
Lumen Output (max)*	2,629	1,988	5,258	3,976
LED Module & Quantity	1x FFA	1x DLO	2x FFA (1x Emergency FFA and 1x FFA)	2x DLO (1x Emergency DLO and 1x DLO)
Beam Angles	115°	90° (110° upon request)	115°	90° (110° upon request)
Ingress Protection	IP66/67 (depending on gland fitted)			
Lower Temp. Limit	-40 °C			
Upper Temp. Limit	60 °C			
Weight	6.5kg		10.5kg	
Colour Temperature	5000K			

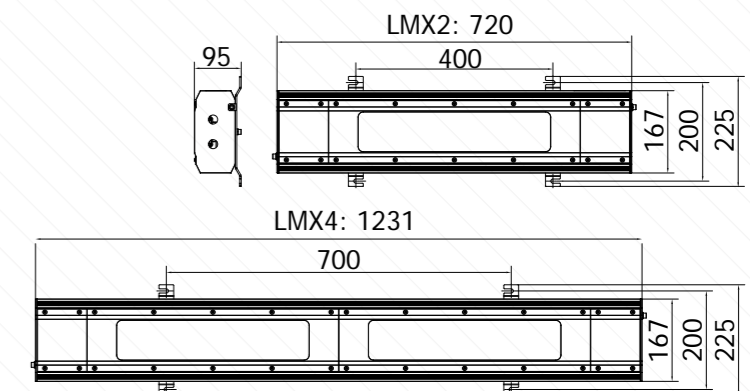
*Lumen output figures stated are for 230V AC

**For certification codes and full product details, visit our website at www.wolfsafety.com

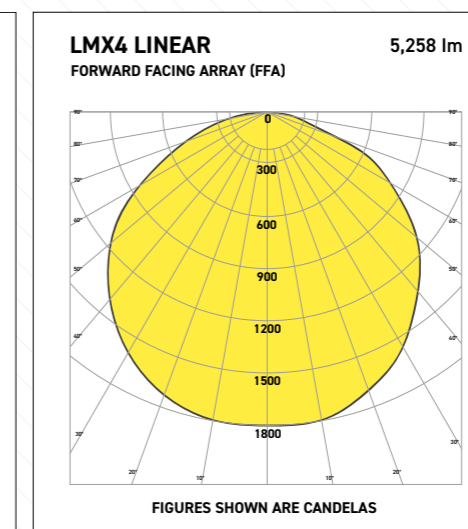
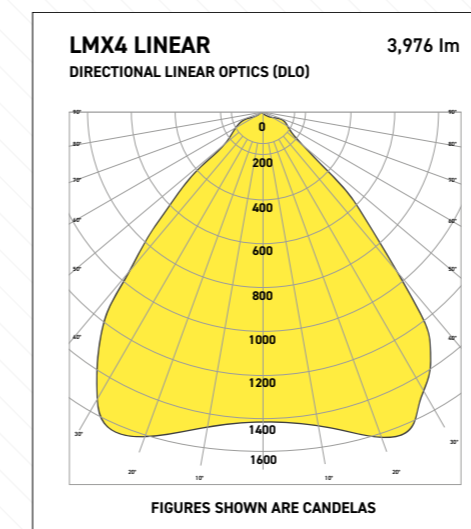
All information has been gathered under laboratory conditions, the user must regard the values given as approximate. Changes may be made to the above specification without notification, details are available on request. E&OE.

PRODUCT DIMENSIONS (IN MM)

Please note mounting brackets are available separately as an accessory.



LIGHT OUTPUT DIAGRAMS



Powered light output shown

ZONE 1/21 INSTALLED LIGHTING RANGE

LFX FLOODLITE



LFX1S

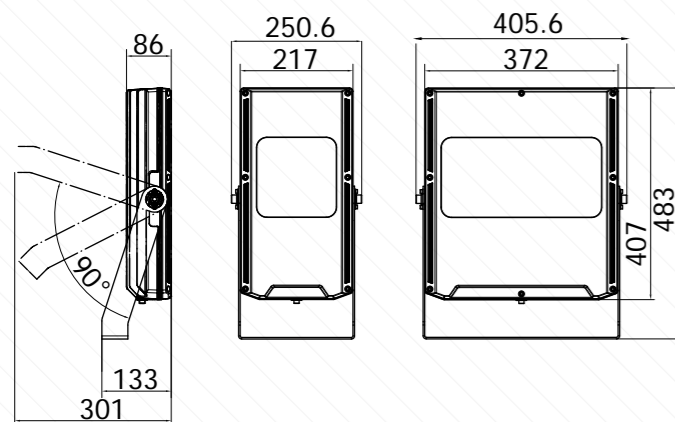


LFX2S

The LFX range of high-power Hazardous Area LED installed floodlights is ideal for safely illuminating large hazardous areas that need wide, even, bright light coverage. ATEX, IECEx and UKEX certified for safe use in potentially explosive atmospheres Zones 1 and 21, the range is available in 2 sizes, with 12, 16, 24 or 32 LED arrays, 4 different beam angles and a light output up to 25,932 lumens. IP66/67 certified, and with a full range of fixing accessories, LFX Floodlights are ideal for both indoor and outdoor use.

- Market leading light output of up to 25,932 lumens
- Available in 4 sizes; large and small, and 12, 16, 24 or 32 LED arrays providing flexible solution to user requirements
- Available with beam angles 36°, 45°, 62° and 102° to efficiently direct light to the desired work area
- All models are T4 Temperature Class and have a lower ambient temperature of -50°C. High temperature versions are available with an upper temperature limit up to 65°C, ideal for use in hotter climates, including the Middle East
- Ultra-long life LED technology; up to 100,000 hours
- Supplied with stirrup bracket as standard
- 5 year warranty supplied as standard

PRODUCT DIMENSIONS (IN MM)



LFX FLOODLITE TECHNICAL TABLE

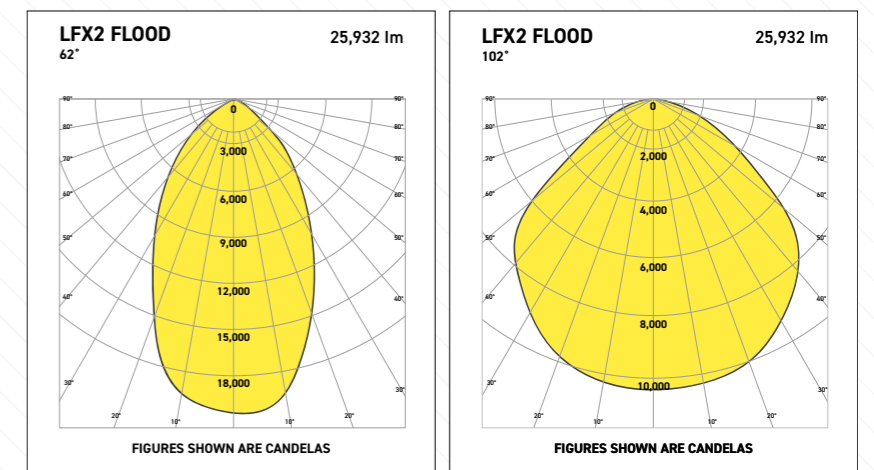
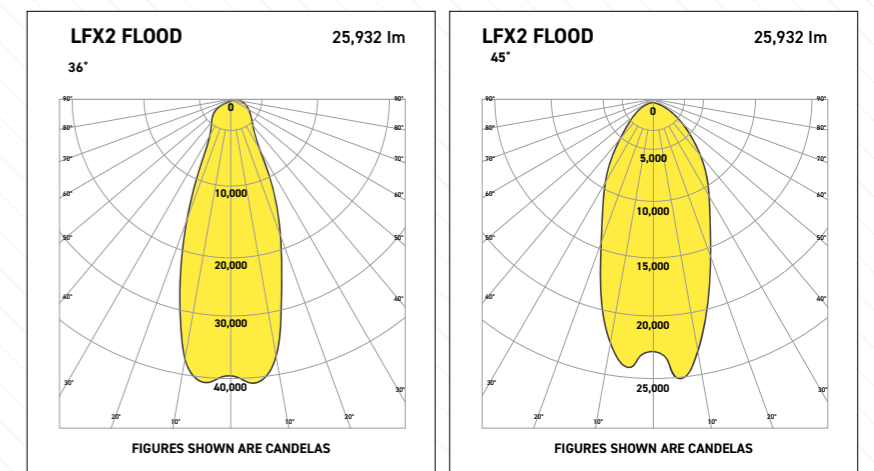
	LFX1S -12-55	LFX1S -12-65	LFX1S -16-45	LFX1S -16-55	LFX2S -24-50	LFX2S -24-60	LFX2S -32-50	LFX2S -32-55
Code	II 2 G Ex eb mb IIC T4 Gb II 2 D Ex tb IIIC T110°C Db							
Certificate	ExVeritas 19 ATEX 0586X / IECEx EXV 19.0079X / ExVeritas 21 UKEX 0939X							
Input Voltage Range	88 - 140V AC; 180 - 277 VAC							
Input Power	67.5W	45W	90W	60W	135W	90W	180W	120W
Frequency	50 - 60 Hz							
Power Factor	>0.90	>0.90	>0.95	>0.95	>0.95	>0.95	>0.95	>0.95
Enclosure Size	Small				Large			
Lumen Output (max)*	9,724	6,483	12,996	8,644	19,449	12,996	25,932	17,288
LEDs	12 LED	12 LED	16 LED	16 LED	24 LED	24 LED	32 LED	32 LED
Beam Angles	Narrow (36°), Medium (45°), Wide (62°), Ultra Wide (102°)							
Ingress Protection	IP66/67 (depending on gland fitted)							
Lower Temp. Limit	-50°C							
Upper Temp. Limit	55 °C	65 °C	45 °C	55 °C	50°C	60 °C	50 °C	55 °C
Weight	9.5kg				15.5kg			
Colour Temperature	5000K							

*Lumen output figures stated are for 230V AC **For certification codes and full product details, visit our website at www.wolfsafety.com

*LFX1S-12-55 and LFX1S-12-65 units do not have through wiring capability.

All information has been gathered under laboratory conditions, the user must regard the values given as approximate. Changes may be made to the above specification without notification, details are available on request. E&OE.

LIGHT OUTPUT DIAGRAMS



ZONE 1/21 INSTALLED LIGHTING RANGE

LHX HIGHBAY



LHX15

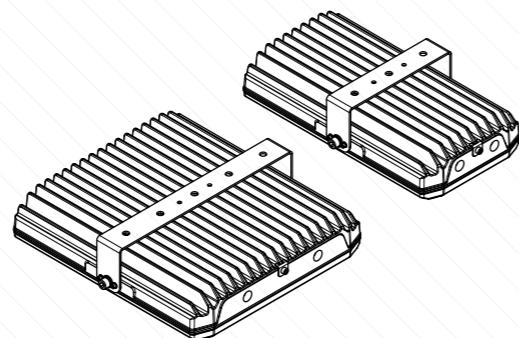
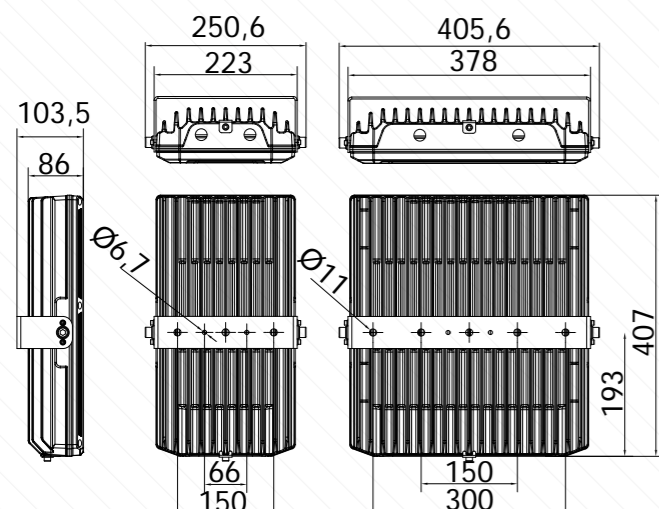


LHX25

The LHX Installed LED Highbay range is ideal for use in very high and large hazardous work areas. ATEX, IECEx and UKEX certified for safe use in potentially explosive atmospheres Zones 1 and 21, the range is available in 2 sizes, with 12, 16, 24 or 32 LED arrays, 4 different beam angles and a light output up to 25,932 lumens. IP66/67 certified, and with a full range of fixing accessories, LHX Highbays are ideal for both indoor and outdoor use.

- Market leading performance; up to 25,932 lumens
- Available in 4 sizes; large and small, and 12, 16, 24 or 32 LED arrays providing flexible solution to user requirements
- Available in beam angles 36°, 45°, 62° and 102° to efficiently direct light to the desired work area
- All models are T4 Temperature Class and have a lower ambient temperature of -50°C. High temperature versions are available with an upper temperature limit up to 65°C, ideal for use in hotter climates, including the Middle East
- Ultra-long life LED technology; up to 100,000 hours
- Supplied with ceiling bracket as standard, suspension cables available as accessories
- 5 year warranty supplied as standard

PRODUCT DIMENSIONS (IN MM)



LHX HIGHBAY TECHNICAL TABLE

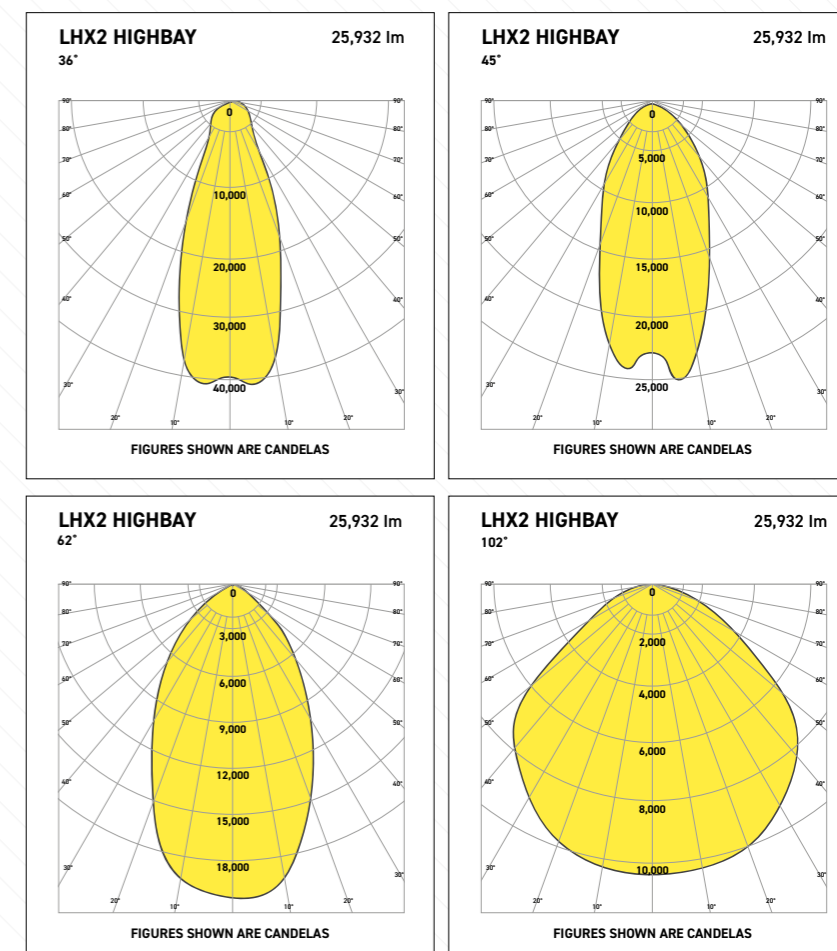
	LHX15 -12-55	LHX15 -12-65	LHX15 -16-45	LHX15 -16-55	LHX25 -24-50	LHX25 -24-60	LHX25 -32-50	LHX25 -32-55
Code	II 2 G Ex eb mb IIC T4 Gb II 2 D Ex tb IIIC T110°C Db							
Certificate	ExVeritas 19 ATEX 0586X / IECEx EXV 19.0079X / ExVeritas 21 UKEX 0939X							
Input Voltage Range	88 - 140V AC; 180 - 277 VAC							
Input Power	67.5W	45W	90W	60W	135W	90W	180W	120W
Frequency	50 - 60 Hz							
Power Factor	>0.90				>0.95v			
Enclosure Size	Small				Large			
Lumen Output (max)*	9,724	6,483	12,996	8,644	19,449	12,996	25,932	17,288
LEDs	12 LED	12 LED	16 LED	16 LED	24 LED	24 LED	32 LED	32 LED
Beam Angles	Narrow (36°), Medium (45°), Wide (62°), Ultra Wide (102°)							
Ingress Protection	IP66/67 (depending on gland fitted)							
Lower Temp. Limit	-50°C							
Upper Temp. Limit	55°C	65°C	45°C	55°C	50°C	60°C	50°C	55°C
Weight	9.5kg				15.5kg			
Colour Temperature	5000K							

*Lumen output figures stated are for 230V AC **For certification codes and full product details, visit our website at www.wolfsafety.com

*LHX15-12-55 and LHX15-12-65 units do not have through wiring capability.

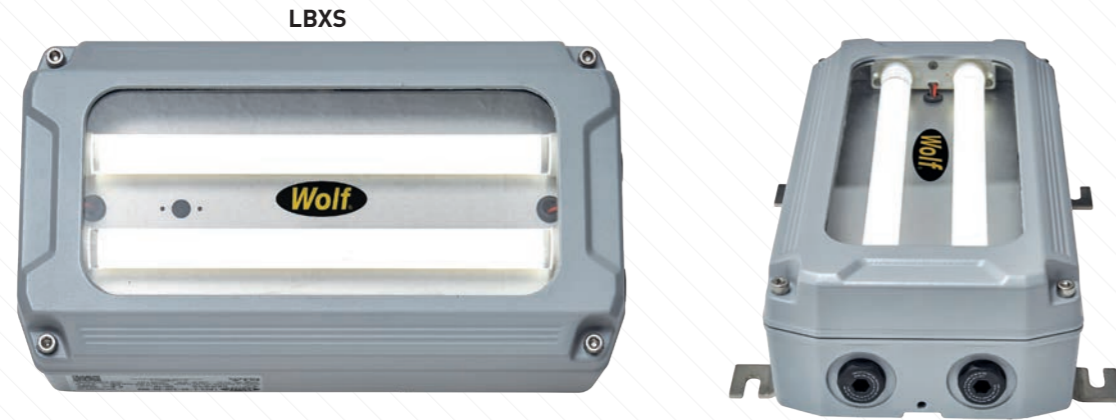
All information has been gathered under laboratory conditions, the user must regard the values given as approximate. Changes may be made to the above specification without notification, details are available on request. E&OE.

LIGHT OUTPUT DIAGRAMS



ZONE 1/21 INSTALLED LIGHTING RANGE

LBX BULKHEAD



The LBX LED Bulkhead is a compact, versatile and robust light ideal for safely illuminating walkways, steps and entrances within Hazardous Areas. ATEX, IECEx, and UKEX certified for safe use in Zones 1/21, all models in the range feature our unique, patented Directional Linear Optics (DLO) technology, which means the beam can be directed exactly where needed, with no overspill or wasted light, and there's low glare - even when installed at eye level. All models are IP66/67 rated, making them perfect for both indoor and outdoor use.

The LBX Bulkhead is available in two lumen outputs and 230V supply.

- Patented Directional Linear Optics (DLO) technology; ensures minimal glare when installed at eye level
- 90° beam angle (110° also available); ideal angle for bulkhead lighting
- Different versions offer a range of light output from 1,086 to 1,629 lumens
- Wide operating temperatures available -50°C to +65°C
- Easy installation and maintenance
- Low profile aluminium housing
- IP66/67 rated (depending on gland fitted) for outdoor or indoor use
- Supplied with wall brackets as standard
- 5 year warranty supplied as standard

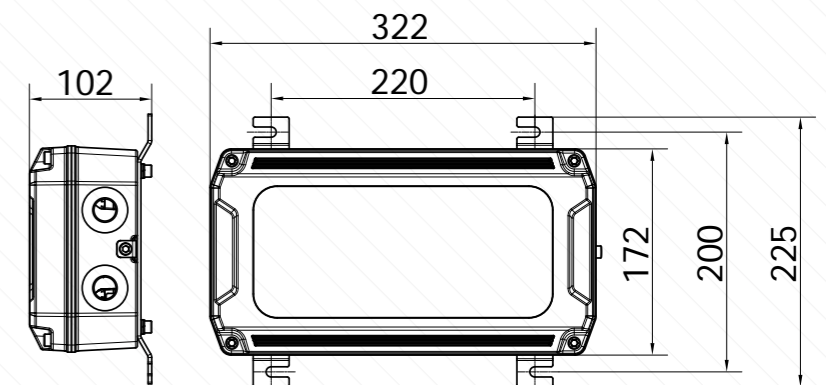
LBX BULKHEAD TECHNICAL TABLE

	LBXS-L-59	LBXS-L-65
Code	II 2 G Ex eb mb IIC T4 Gb II 2 D Ex tb IIIC T80°C Db	
Certificate	ExVeritas 19 ATEX 0439X / IECEx EXV 19.0002X / ExVeritas 21 UKEX 0945X	
Input Voltage Range	88 - 140V AC; 180 - 277 VAC	
Input Power	24W	16W
Frequency	50 - 60 Hz	
Power Factor	>0.95	
Lumen Output (max)*	1,629	1,086
LED Module & QTY	1x DLO	
Beam Angles	90° (110° upon request)	
Ingress Protection	IP66/67 (depending on gland fitted)	
Lower Temp. Limit	-50°C	
Upper Temp. Limit	59°C	65°C
Weight	4kg	
Colour Temperature	5000K	

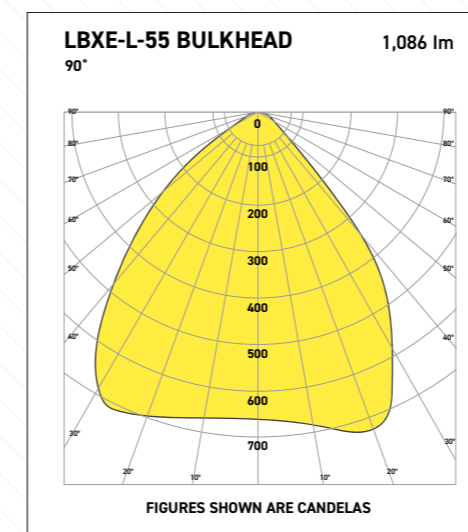
*Lumen output figures stated are for 230V AC **For certification codes and full product details, visit our website at www.wolfsafety.com

All information has been gathered under laboratory conditions, the user must regard the values given as approximate. Changes may be made to the above specification without notification, details are available on request. E&OE.

PRODUCT DIMENSIONS (IN MM)

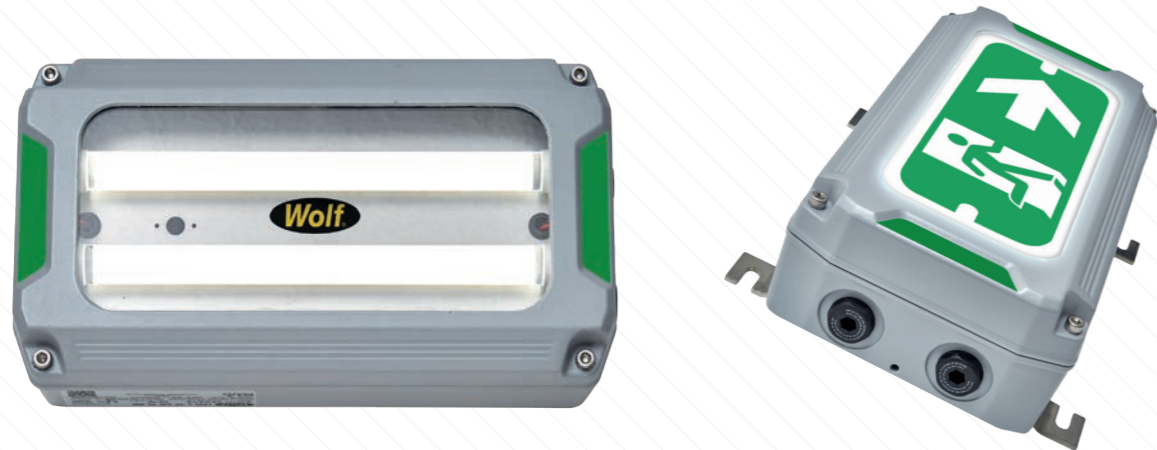


LIGHT OUTPUT DIAGRAMS



ZONE 1/21 INSTALLED LIGHTING RANGE

LBXE EMERGENCY BULKHEAD



The LBXE Intelligent Emergency Bulkhead provides the additional safety of an emergency back-up supply should power fail in the Hazardous Area.

The LBXE Emergency has all the features and benefits of the standard LBX Bulkhead range (see previous pages), with the additional advantage of the following emergency mode durations (selectable by the installer on-site) supplied by the NiMH battery:

- 4 hours at 25% output
- 2 hours at 50% output
- 1 hour at 100% output

The Intelligent Emergency circuit automatically performs periodic functional and battery duration self-testing to monitor the system and battery condition. Throughout this period LED output from the Emergency Bulkhead remains at full power to ensure activities and operations in the vicinity remain undisturbed.

The Emergency Bulkhead can be wired on-site as per the users' requirements as either a "maintained" emergency light, which remains permanently illuminated whilst energised, or a "non-maintained" emergency light, which remains non-illuminated whilst energised. In the event of a mains power failure, both units will illuminate.

A 3 colour LED indicator will show the state of the circuit:

- Green indicates that everything is functioning correctly
- Amber indicates the unit is executing a self-test
- Red indicates a fault or that the battery hasn't reached full capacity (see manual for further details)

If the battery is removed for maintenance or replacement and the Emergency Bulkhead is re-energised, it will continue to illuminate normally at full output whilst powered from mains (maintained only).



LBXE EMERGENCY BULKHEAD TECHNICAL TABLE

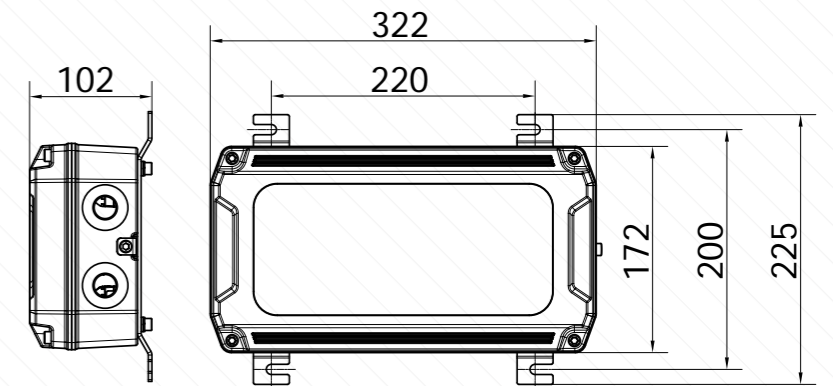
	LBXE-L-59	LBXN-L-59
Code	II 2 G Ex eb mb IIC T4 Gb II 2 D Ex tb IIC T80°C Db	
Certificate	ExVeritas 19 ATEX 0439X / IECEx EXV 19.0002X / ExVeritas 21 UKEX 0945X	
Input Voltage Range	100-140V AC; 200-277V AC	
Input Power	32W	6W
Frequency	50 - 60 Hz	
Power Factor	0.90	
Lumen Output (max)*	1,629	
LED Module & Qty	1x DLO	
Beam Angle	90° (110° upon request)	
Ingress Protection	IP66/67 (depending on gland fitted)	
Lower Temp. Limit	-40°C	
Upper Temp. Limit	59°C	
Weight	5.5kg	
Colour Temperature	5000K	

(The Emergency Bulkhead can be wired as a "maintained" or "non-maintained" version - the table shows "maintained" data on the left, "non-maintained" on the right)

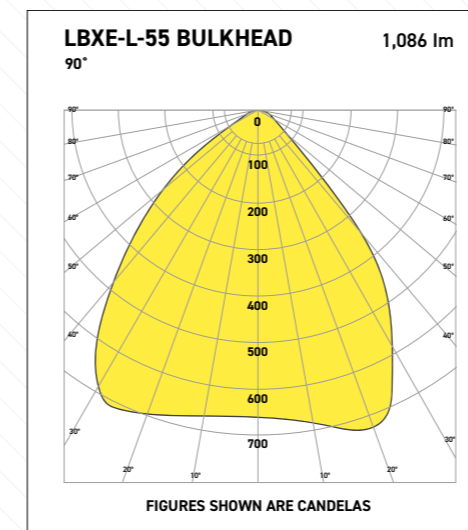
*Lumen output figures stated are for 230V AC **For certification codes and full product details, visit our website at www.wolfsafety.com

All information has been gathered under laboratory conditions, the user must regard the values given as approximate. Changes may be made to the above specification without notification, details are available on request. E&OE.

PRODUCT DIMENSIONS (IN MM)



LIGHT OUTPUT DIAGRAMS



Powered light output shown

ACCESSORIES

A full range of accessories for the installed product range is available; please see our website for more information.

LINEAR

Ceiling Bracket and Adjustable Bracket



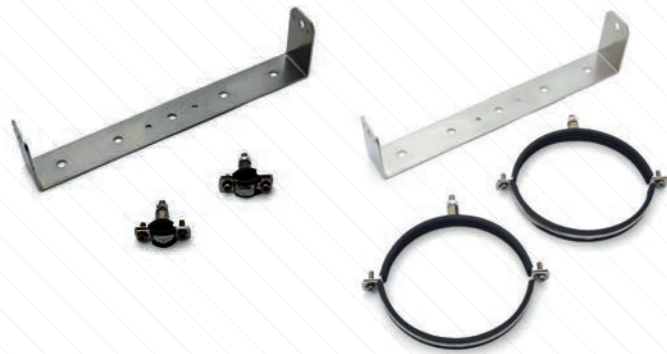
HIGHBAY

Wire Suspension Kit and Horizontal Pole Kit



FLOODLITE

Horizontal & Vertical Pole Kits



BULKHEAD

Ceiling Bracket and Eye Bolt Kit



ADDITIONAL PRODUCTS AND SERVICES

Wolf Safety is the world's leading manufacturer of Hazardous Area portable & temporary lighting, offering the widest range of ATEX, IECEx and UKEX certified explosion protected lighting and power distribution systems designed in the United Kingdom for safe use in potentially explosive atmospheres worldwide.

Our Portable range includes:

- Straight and right-angled torches
- Headtorches
- Handlamps
- Warning Lights

Our Temporary range includes mains and low voltage:

- LED Luminaires and Floodlights
- Tank Lighting Kits
- Handheld Leadlamps
- Battery operated LED worklights
- Air Lamps

Our Temporary lighting range is supported by wide range of **Temporary Power Distribution** products, including transformers, splitter boxes, extension cables and cable reels.

Wolf is the exclusive UK distributor of market leading **Ramfan™** workplace **Ex Fans and Ventilators**.

Additional Services include:

- Technical support
- Lighting installation plans
- Full pre and post sales support





WITHOUT COMPROMISE

Wolf Safety Lamp Company
Saxon Road Works, Sheffield S8 0YA, UK

T: +44 (0) 114 255 1051
E: info@wolfsafety.com

SL110 Rev 3 DF587



www.wolfsafety.com