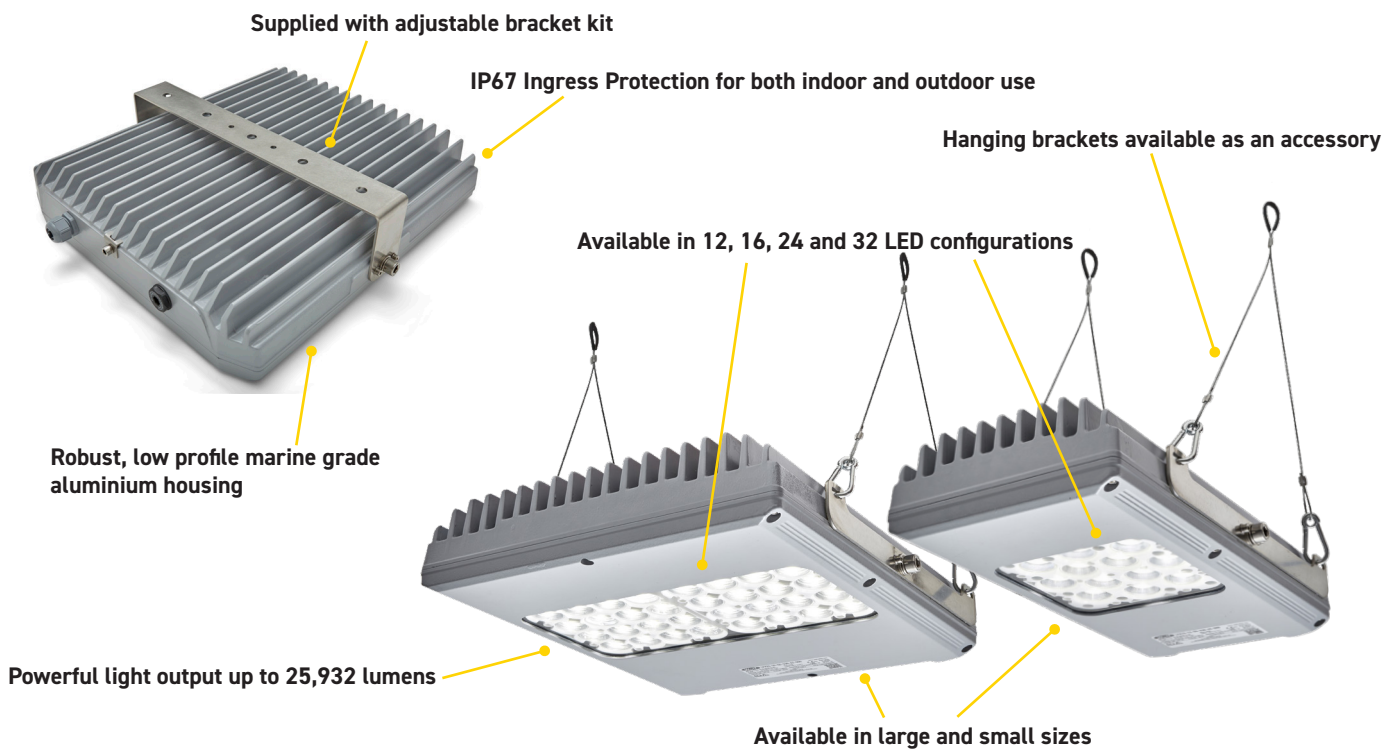


PRODUCT INFORMATION

The LHX Installed LED Highbay range is ideal for use in very high and large hazardous work areas. ATEX, IECEx and UKEX certified to Zones 1 and 21, these high powered, ceiling mounted lamps have a lumen output of up to 25,932 lumens and are IP67 rated making them perfect for both indoor and outdoor use. 4 versions available, in two sizes, LHX1 (small) and LHX2 (large) and 12/16 or 24/32 LED configurations.



FEATURES & BENEFITS

LIGHT OUTPUT

- Options for light output from 6,483 lumens to 25,932 - allowing you to choose according to your specific light level requirements
- Available in beam angles 32°, 45°, 62° and 102° - allow the light to be directed where needed
- 5000K white light for bright, crisp lighting that's ideal for general work area illumination

CERTIFICATIONS/SPECIFICATIONS

- ATEX, IECEx and UKEX certified for gas Zone 1 and Dust Zone 21
- T4 temperature class
- An IP67 rating means the LHX Floodlight is suitable for both indoor and outdoor use
- With all models having a lower ambient limit of - 50°C and high temperature versions up to +65°C being available, the LHX range is ideal for even the most extreme environments

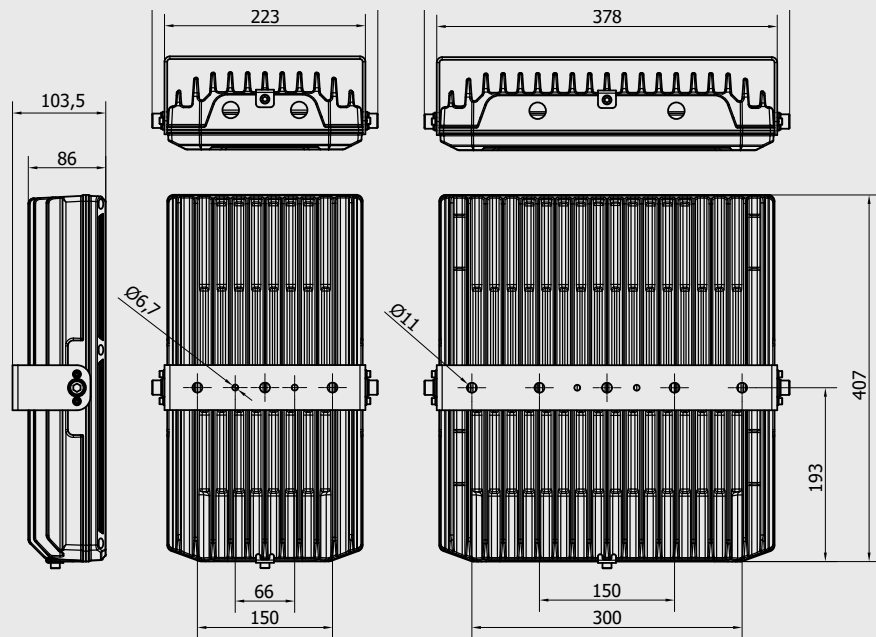
FEATURES

- Simple design ensures quick and easy installation
- 4 versions available; in 2 sizes - Small (LHX1) and Large (LHX2) - and 12/16 or 24/32 LED arrays
- Available as 110V and 230V versions
- A robust and durable aluminium body with toughened glass ensure long life and resistance to damage
- Ultra long life LEDs, configured to give 100,000+ hours life
- 5 year warranty
- IES files available upon request

TECHNICAL INFORMATION

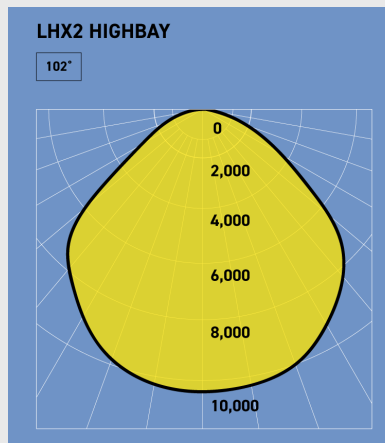
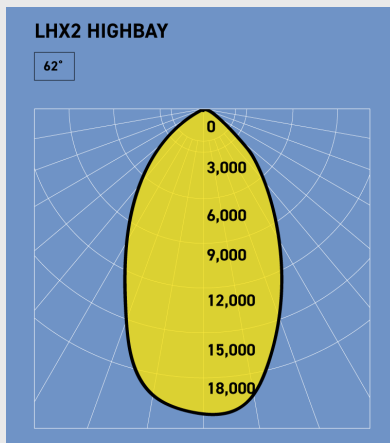
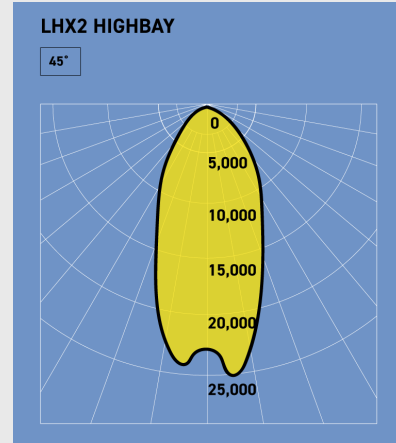
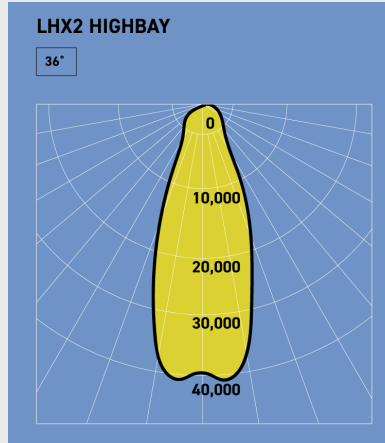
PRODUCT DIMENSIONS

LHX HIGHBAY



LIGHT OUTPUT DIAGRAM

Light output diagrams are shown for LHX Highbay models with 32 LEDs (LHX2S-32-XX)



LHX HIGHBAY TECHNICAL TABLE

LHX HIGHBAY								
PRODUCT REFERENCE	LHX1S -12-65	LHX1S -12-55	LHX1S -16-55	LHX1S -16-45	LHX2S -24-60	LHX2S -24-50	LHX2S -32-55	LHX2S -32-50
Code	II 2 G D Ex eb mb IIC T4 Gb Ex tb IIIC T110 °C Db							
Certification	ExVeritas 19 ATEX 0586X / IECEx EXV 19.0079X / ExVeritas 21 UKEX 0939X							
Input Voltage Range	88-140V AC or 180-277V AC	180-277V AC	88-140V AC or 180-277V AC	180-277V AC	88-140V AC or 180-277V AC	180-277V AC	88-140V AC or 180-277V AC	180-277V AC
Input Power	45W	67.5W	60W	90W	90W	135W	120W	180W
Frequency	50 - 60 Hz							
Power Factor	>0.90	>0.90	>0.95	>0.95	>0.95	>0.95	>0.95	>0.95
Enclosure Size	Small				Large			
Lumen Output (Max)*	6,483	9,724	8,644	12,996	12,996	19,449	17,288	25,932
LEDs	12 LED	12 LED	16 LED	16 LED	24 LED	24 LED	32 LED	32 LED
Beam Angles	Narrow (36°), Medium (45°), Wide (62°) or Ultra Wide (102°)							
Ingress Protection	IP66/67 (depending on gland fitted)							
Gas Temp. Class	T4							
Dust Surface Temp.	110°C							
Lower Temp. Limit	-50°C							
Upper Temp. Limit	65°C	55°C	55°C	45°C	60°C	50°C	55°C	50°C

*Lumen output figures stated are for 230V AC

All information has been gathered under laboratory conditions, the user must regard the values given as approximate. Changes may be made to the above specification without notification, details are available on request. E&OE.



Wolf Safety Lamp Company
Saxon Road Works, Sheffield S8 0YA, UK

T: +44 (0) 114 255 1051
E: info@wolfsafety.com



www.wolfsafety.com