

# 30CM FAN / VENTILATOR



WITHOUT COMPROMISE

## PRODUCT INFORMATION

The VF-EFi75xx delivers up to 2,500 cfm (4,250m<sup>3</sup>/hr) and is available as 115V or 230V.

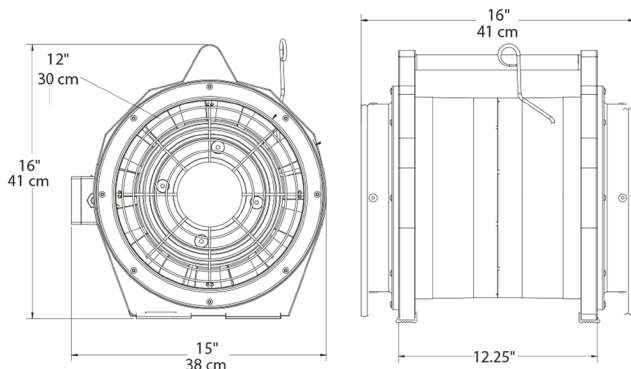
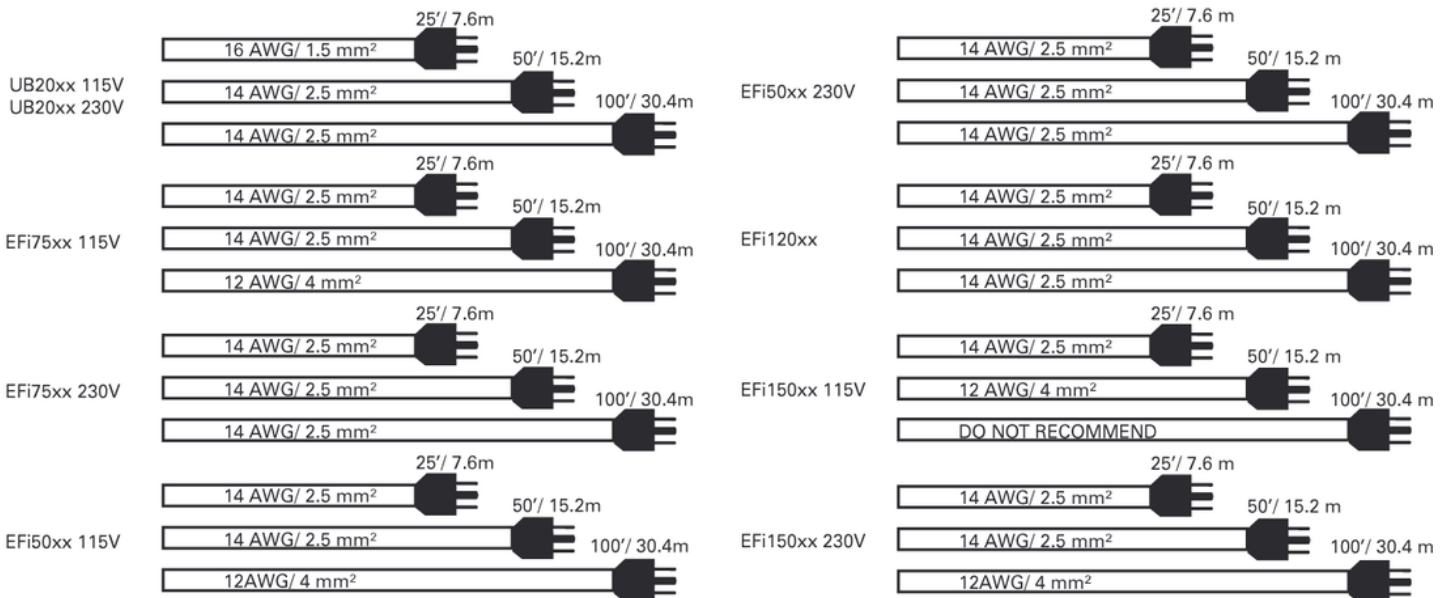
### FEATURES

- ATEX and IECEx certified for use in Zone 1 & 2
- Class leading air-flow at up to 2,500 cfm (4,250 m<sup>3</sup>/hr)
- Thermal protection offered by cut-off switch
- Durable, PC/ABS anti-static casing in weatherproof, flame retardant and chemical resistant
- 7.6 metre extended reach power cable
- IP55 water tight rain tested switch enclosure
- Flexible, anti-static ducting available



30cm UB20XX Hazardous Area Fan / Ventilator

## CABLE LENGTHS



# TECHNICAL INFORMATION

30CM FAN / VENTILTOR		
PRODUCT REFERENCE	VF-EFI75XX (115V)	VF-EFI75/230
PRODUCT DESCRIPTION	30cm Hazardous Area Fan / Ventilator	
CODE	II 2 G Ex db eb IIB T6 Gb II 2 G Ex h IIB T6 Gb	
TYPE OF PROTECTION	'd' flameproof 'eb' increased safety 'h' non-electrical equipment	
AREA OF CLASS (GAS)	Zones 1 and 2, Gas Groups IIA and IIB	
MAX SURFACE TEMP (GAS)	T6	
AMBIENT TEMP. (GAS)	-20°C TO +40°C	
CERTIFICATE	DEMKO 09 ATEX 0926969X IECEX UL 13.0062X	
ENCLOSURE	Anti-static PolycarbonateABS Alloy	
MOTOR	0.75 Hp (0.56kW)	
VOLTAGE	115V 50/60Hz	230V 50/60Hz
AMPS: START	37A	27A
AMPS: RUN	8.8A	4.4A
FREE AIR THROUGH DUCT	2,500 cfm (4,250 m <sup>3</sup> /hr)	
15' /4.6M /W ONE 90° TURN:	1,664 cfm (2,829 m <sup>3</sup> /hr)	
15' /4.6M /W TWO 90° TURN:	1,529 cfm (2,599 m <sup>3</sup> /hr)	
INGRESS PROTECTION	IP55	
DIMENSIONS (H/W/D)	41 x 38 x 41 cm	
WEIGHT	20kg	
DUCT ADAPTERS	2	
NOISE	89db @ 1m	

All information has been gathered under laboratory conditions, the user must regard the values given as approximate. Changes may be made to the above specification without notification, details are available on request.



Wolf Safety Lamp Company  
Saxon Road Works, Sheffield S8 0YA, UK

T: +44 (0) 114 255 1051  
E: [info@wolfsafety.com](mailto:info@wolfsafety.com)

