

RECHARGEABLE TORCH CHARGER BANK



RC-20X/RC-30X

PRODUCT INFORMATION

The Wolf Rechargeable Torch Charger Bank provides a solution to charger mounting and space management as the 100-254VAC and 12-24VDC vehicle charging system allow easy recharging and storage of the Wolf R-50 and R-55 Rechargeable Torch range.



FEATURES

- Designed for both safe area indoor and internal vehicle use
- Can be mounted in different orientations
- In vehicles, the unit exceeds the requirements of EN1789:2000 6.3.5 giving torch retention in shock conditions of up to 40G (EN1789 requires 15G)
- Quick and easy installation
- Mounting points are adjustable providing extra flexibility in tight areas
- Wiring and cable running is quick and tidy
- Aluminium and steel plated fixings for long life
- Fast charging: 90% charge in 1.5hrs , full charge in 3hrs



Wolf Safety Lamp Company
Saxon Road Works, Sheffield S8 0YA, UK

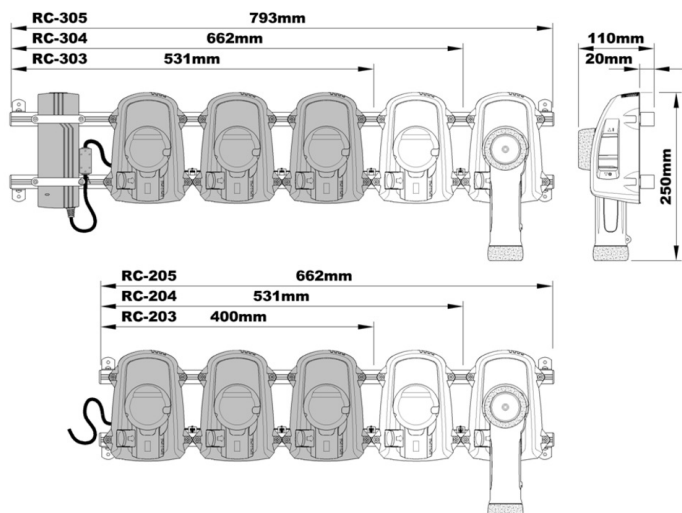
T: +44 (0) 114 255 1051
E: info@wolfsafety.com

TECHNICAL INFORMATION

RECHARGEABLE TORCH CHARGER BANK

PRODUCT REFERENCE	RC -203	RC-204	RC-205	RC-303	RC-304	RC-305
PRODUCT DESCRIPTION	Rechargeable Torch Charger Bank					
FOR NO. TORCHES	3	4	5	3	4	5
APPARATUS STANDARDS	BS EN 1789-2000 Medical Vehicles and Equipment 6.3.5					
INSULATION CLASS	III					
ENCLOSURE	Thermoplastic					
INPUT VOLTAGE	12-24VDC			100-254VAC		
PEAK CURRENT	4.5A	6A	7.5A	4.5A	6A	7.5A
RECHARGE TIME	90% in 1.5hrs / Full Charge 3hrs					
INGRESS PROTECTION	IP20					
WEIGHT	1.3kg	1.7kg	2.1kg	2.2kg	2.6kg	3.0kg
MOUNTING	Wall Mounted / Flat Surface / Bulk Head					
COMPATIBLE TORCH	R-50 / R-55					

Changes may be made to the above specification without notification, details are available on request. All information has been gathered under laboratory conditions, the user must regard the values given as approximate.



Wolf Safety Lamp Company
Saxon Road Works, Sheffield S8 0YA, UK

T: +44 (0) 114 255 1051

E: info@wolfsafety.com

