

ATEX 400VA Transformer

Zones: 1, 2, 21 and 22



Product Overview

The Wolf ATEX Transformers are CE marked to the ATEX Directive for safe use in Zones 1 potentially explosive gas and 21 dust atmospheres, where the T class and ambient temperatures permit. Wolf transformers are both ATEX and IECEx certified.

Models operating from 230V or 110V to 24V and 230V to 110V, the transformers are intended for use with the Wolf range of temporary ambient and task lights and with ancillary equipment for maintenance tasks. The transformers have 400VA and 320VA dual power rating options allowing them to be safely used in a range of upper operating ambient temperatures depending on power usage.

As standard, Transformers are supplied with a 15 metre input cable fitted with an ATX plug and with four ATX output sockets fitted to the enclosure. The Transformers are available with a stainless steel or GRP enclosure, sealed to IP66, enabling use in wet and dusty conditions. In addition, a stainless steel outer protective skid makes the unit stronger and easier to handle for temporary installations ensuring that it can withstand the harshest of environments.

All Wolf's ATEX power distribution systems are robust and durable in their construction, compact and portable for easy handling and fully flexible to enable different configurations to be built to your specific hazardous area requirement.

Features & Benefits

- ATEX approved for use in Zones 1 explosive gas and 21 dust atmospheres
- IECEx certified
- Robust and durable construction
- Transportable and portable design
- Wide range of voltages available - 230V or 110V to 24V and 230V to 110V
- 400VA and 320VA power rating options
- Fitted with 4 x ATX socket outlets
- Supplied with 15m SY cable and ATX plug
- CEAG, STAHL and Marechal plug options available
- Power temporary ambient and task lighting and ancillary maintenance equipment
- 110V versions available with CTE (Centre Tap Earth) option

Certifications



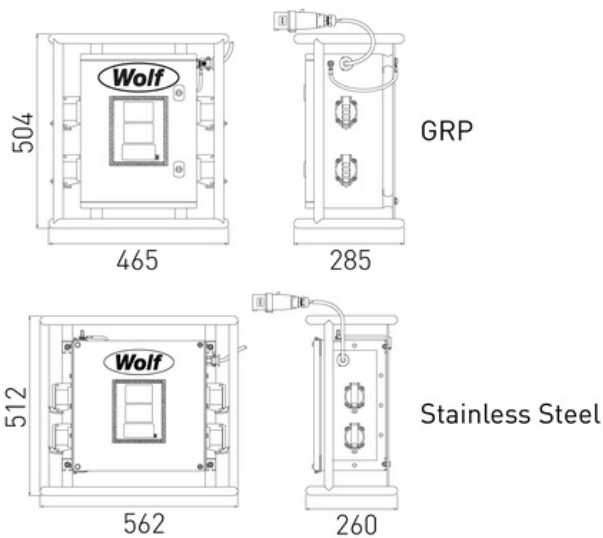
Technical Specification

Product Reference	LL-114/T3	LL-214/T3	LL-221/T3	LL-133/T3	LL-233/T3	LL-243/T3
Product Description	GRP			Stainless Steel		
	110V:24V	230V:24V	230V:110V	110V:24V	230V:24V	230V:110V
Code	<p><u>For Output Power ≤ 400VA</u></p> <p>II2 GD Ex ed IIC T3 Ex t A21 IP66 T195°C</p> <p>(-20°C ≤ Ta ≤ +35°C)</p> <p><u>For Output Power ≤ 320VA</u></p> <p>II2 GD Ex ed IIC T3 Ex t A21 IP66 T195°C</p> <p>(-20°C ≤ Ta ≤ +50°C)</p>			<p><u>For Output Power ≤ 400VA:</u></p> <p>Ex d e IIC T3 Gb - Ex t IIIC T195°C Db</p> <p>(-20°C ≤ Ta ≤ +30°C)</p> <p><u>For Output Power ≤ 320VA:</u></p> <p>Ex d e IIC T3 Gb - Ex t IIIC T195°C Db</p> <p>(-20°C ≤ Ta ≤ +42°C)</p>		
Type of Protection	'e' increased safety, 'd' flameproof					
Area of Classification (Gas)	Zones 1 and 2, Gas groups IIA, IIB and IIC					
Temperature Class (Gas)	T3			T3		
Area of Classification (Dust)	Zones 21 and 22, Dust Groups IIIA, IIIB and IIIC					
Max. Surface Temperature (Dust)	T195°C			T195°C		
Ambient Temperature	320VA -20°C to +50°C 400VA -20°C to +35°C			320VA -20°C to +42°C 400VA -20°C to +30°C		
Certificate	ATEX - LCIE02ATEX6248X IECEX - LCI 04.0016X			ATEX - LCIE02ATEX6118X IECEX - LCI 11.0008X		
Enclosure	Glass reinforced polyester (GRP) enclosure, marine grade (316L) stainless steel skid			Marine grade (316L) stainless steel enclosure and skid		
Power	320 / 400VA			320 / 400VA		
Volts In	110V ac +6% -10%	230V ac +6% -10%		110V ac +6% -10%	230V ac +6% -10%	
Input Cable	15m SY cable 4mm ² with ATX 110V / 230V 2P+E plug fitted as standard					

Volts Out	24V	110V	24V	110V
Socket Arrangement & Configuration	4 output sockets, ATX 110V / 24V 2P+E as standard			
	2 sockets on each unit side			
Dimensions	504 x 465 x 285mm (L x W x H)		512 x 562 x 260 mm (L x W x H)	
Ingress Protection	IP66			
Weight	21 Kg		28 Kg	

- Dual marked GRP Transformer certified T3 with an ambient temperature range of -20°C to +50°C at 320VA power and with an ambient temperature range of -20°C to +35°C at 400VA power.
- Dual marked SS Transformer certified T3 with an ambient temperature range of -20°C to +42°C at 320VA power and with an ambient temperature range of -20°C to +30°C at 400VA power.
- CEAG, Stahl and Marechal plug options and longer SY input cable available on request.
- Ships braided cable for offshore applications to BS6883 available on request.
- Changes may be made to the above specification without notification, details are available on request.
- All information has been gathered under laboratory conditions, the user must regard the values given as approximate.

Product Dimensions



Version: SL040 DF443 Issue 6



Wolf Safety Lamp Company, Saxon Road Works, Sheffield, S8 0YA, UK

- T: +44 (0) 114 255 1051 • F: +44 (0) 114 255 7988
- E: info@wolfsafety.com • www.wolfsafety.com

